



Oklahoma City, OK 73157-2010  
 Phone: 888.956.0000  
 Fax: 405.228.1561  
 www.RedLionProducts.com

## JET SPRINKLER UTILITY PUMP

POMPE UTILITAIRE POUR  
 ARROSEUR À JET D'EAU

BOMBA JET  
 PARA ASPERSIÓN  
 RJSE-75SS



### SAFETY WARNINGS



**BEFORE OPERATING OR INSTALLING THIS PUMP, READ THIS MANUAL AND FOLLOW ALL SAFETY RULES AND OPERATING INSTRUCTIONS.**

#### WARNING - ELECTRICAL PRECAUTIONS

All wiring, electrical connections, and system grounding must comply with the National Electrical Code (NEC) and with any local codes and ordinances. Employ a licensed electrician.

#### FOR DUAL VOLTAGE MOTORS

Voltage change instructions are located on motor label or on wiring access cover.

#### WARNING - RISK OF ELECTRICAL SHOCK

- This pump is supplied with a grounding conductor and grounding type attachment plug.
- To reduce risk of electrical shock, be certain that it is connected only to a properly grounded, grounding-type receptacle.

- A ground fault interrupter (GFI) protected circuit is recommended for use with any electrical device operating near water.
- Have an electrician provide an outlet near the point of use. For recommended cable size see Table 1.
- Pump and motor must be protected from the weather, for indoor use only.
- Motor must be grounded and terminal cover in place to reduce electrical shock hazard.
- Keep motor operating area as dry as possible.
- Always disconnect power before servicing.
- Not investigated for use in swimming pool area.

## APPLICATION

This jet sprinkler pump is a versatile pump for pressure boosting, small underground sprinkler systems, operating lawn sprinklers and a multitude of other general purpose applications. This pump is suitable for installations where the vertical distance from the pump to the water

level does not exceed \*25 ft. (7.6m), including drawdown. In offset installations, friction losses in the suction pipe must be taken into consideration. (Refer to Table 2, Friction Loss Chart).

\*Less at high altitudes.

## INSTALLATION

- Pump Location:** The pump should be installed in a clean, dry and ventilated location which provides adequate room for servicing and protection from freezing temperatures. It should be bolted to a good foundation, preferably concrete and provided adequate drainage. Locating the pump as close as possible to the water source reduces the friction in the suction pipe and will give maximum capacities.
- Suction pipe:** It is recommended that only new, clean 1 inch pipe or hose be used. If the pump is installed any appreciable distance away from the source of water, the suction pipe should be increased to 1-1/4 inch. Horizontal lengths of pipe must gradually slope upwards from the source of water to the pump to avoid air pockets in the line. Thread compound should be used on all pipe joints and connections should be thoroughly tightened. A foot valve

must be installed and its operation should be checked since a leak will prevent proper operation of the system. Make sure that the foot valve is located so that it will be submerged at all times. If a sand point or driven well is used, install a check valve next to the pump suction instead of the foot valve. For booster pump applications no foot valve is required.

- Service Line:** The service line should be connected as shown in Fig. 1. The size of the service line required is governed entirely by the amount of water needed and the length of the pipe. The pipe selected should be large enough so that the friction loss (determined from Table 2, Friction Loss Chart) will never exceed a 20 ft. (6m) head.

**CAUTION**

Undersize wire between the motor and the power source will adversely limit the starting and load carrying abilities of the motor. Minimum wire sizes for the motor branch circuits are recommended in Table 1.

**TABLE 1**

Recommended Wire Gauge For Electrical Cord Length						
HP	Volts	0-25 ft.	50 ft.	100 ft.	150 ft.	200 ft.
1/2	115	14	12	10	8	6

**TABLE 2 – FRICTION LOSS CHART FOR PLASTIC PIPE:**

For galvanized pipe, double the figures.

Loss of head in feet, due to friction per 100 feet of pipe.

Nominal Pipe Size U.S. GPM	3/4"	1"	1-1/4"	1-1/2"	2"
4	3.75	1.15	0.30	0.14	–
5	5.66	1.75	0.46	0.22	–
6	7.95	2.45	0.65	0.31	–
7	10.60	3.25	0.86	0.41	–
8	13.50	4.16	1.10	0.52	–
9	16.80	5.17	1.35	0.65	–
10	20.40	6.31	1.67	0.79	0.23
11	24.40	7.58	1.98	0.95	0.27
12	28.60	8.85	2.33	1.10	0.32
14	38.00	11.80	3.10	1.46	0.43
16	48.60	15.10	3.96	1.87	0.55
18	60.50	18.70	4.93	2.33	0.69
20	73.50	22.80	6.00	2.83	0.84

Loss of head in meters, due to friction per 100 meters of pipe.

Nominal Pipe Size L/Min.	20mm	25mm	32mm	40mm	50mm
15	3.7	1.15	0.30	0.13	–
20	5.3	1.64	0.43	0.19	–
25	7.1	2.18	0.56	0.27	–
30	13.5	4.13	1.08	0.49	–
35	16.3	5.00	1.31	0.61	–
40	23.5	7.30	1.90	0.88	0.25
45	28.3	8.74	2.31	1.07	0.29
50	34.2	10.60	2.79	1.32	0.38
55	40.7	12.60	3.32	1.56	0.46
60	48.1	14.90	3.92	1.85	0.54
65	55.7	17.30	4.45	2.15	0.63
70	63.8	19.70	5.20	2.46	0.73
75	72.2	22.40	5.89	2.78	0.83

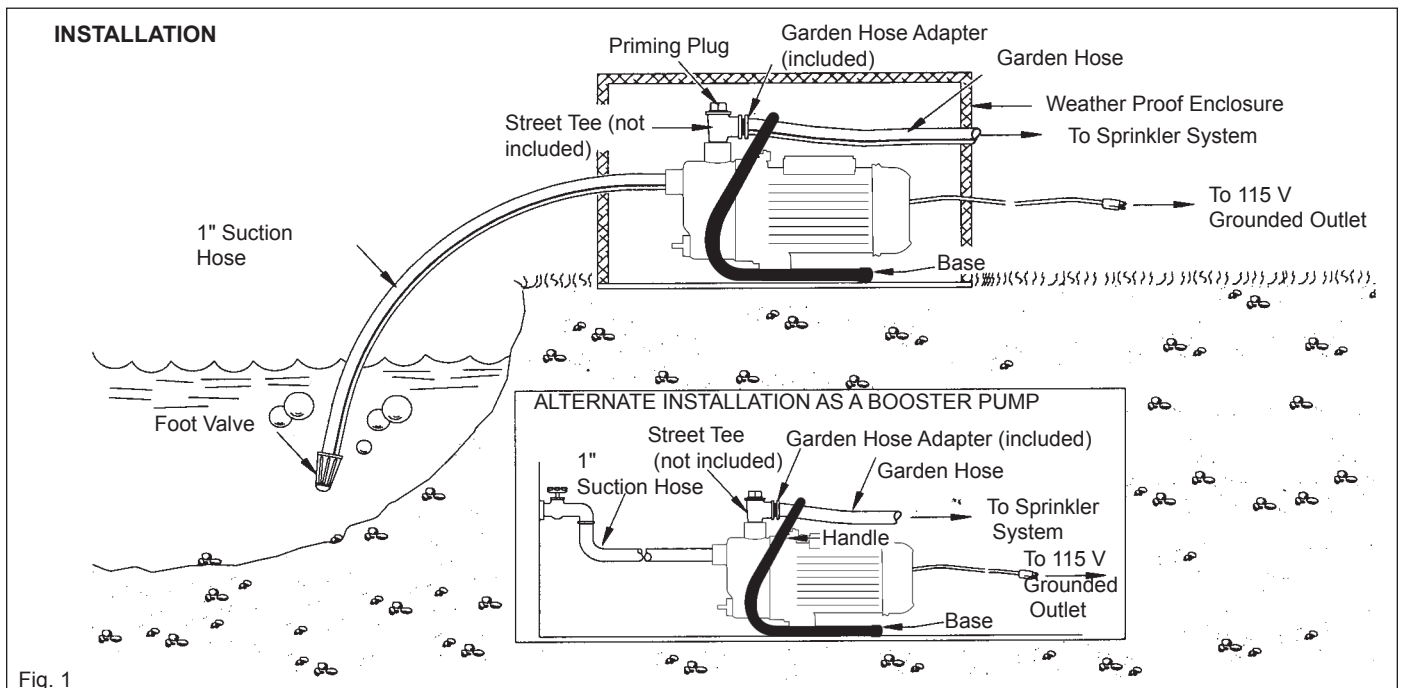


Fig. 1

## OPERATION - PRIMING THE PUMP

**WARNING:** DO NOT RUN THE PUMP BEFORE PRIMING IT, SINCE THE SEAL AND IMPELLER COULD BE PERMANENTLY DAMAGED.

- a) **Priming:** Do not run the pump before priming it, since the seal and impeller could be permanently damaged. Remove the plug from the street tee and pour clean water into the unit until casing and suction line are completely filled. Replace the priming plug and start the motor. If the unit is properly primed, it should pump almost immediately. If not, repeat the priming procedure until all the air has been eliminated from the suction line. If an in-line check valve is used in place of a foot valve, the initial priming time may take 5 to 15 minutes depending on the suction lift, (higher suction lift requires
- b) **Draining:** Should the unit be subject to freezing, it will be necessary to drain the pump and tank. To do this, shut off the power to the pump at the main electrical service panel. Open a valve in the system to release the pressure. Remove drain and priming plugs from the casing. Allow ample time for system to drain before reinstalling the plugs!

## MAINTENANCE

### WARNING - ELECTRICAL PRECAUTIONS

All wiring, electrical connections, and system grounding must comply with the National Electrical Code (NEC) and with any local codes and ordinances. Employ a licensed electrician.

### WARNING - RISK OF ELECTRICAL SHOCK

Before servicing motor operated equipment, shut off the power at the main electrical panel and disconnect the power supply from the motor and the accessories. Use safe working practices during servicing of equipment.

- a) **Lubrication:** The pump requires none. Refer to motor manufacturer's instructions for motor lubrication.
- b) **Replacing Mechanical Seal: (See Fig. 2)**
- Disassembly**
- 1) Shut off the power to the pump at the main service panel and disconnect the power supply from motor.
  - 2) Open a tap in the water system to release the pressure.
  - 3) Remove the drain (11) and prime plugs to allow the pump to drain.
  - 4) Remove the 4 bolts (1) and remove casing (2).
  - 5) Pry the diffuser (3) out of the casing using 2 slotted screwdrivers for leverage.
  - 6) Remove fan shroud (4) and insert a screwdriver into the slot in the shaft to prevent it from turning while unscrewing the impeller (5) in counter-clockwise direction.
  - 7) Slip the rotating seal (6) off the shaft.
  - 8) Remove motor tie bolts (7) and remove motor (8) from adapter (9) by slightly tapping end of motor shaft with a mallet.
  - 9) Remove the ceramic seal seat (10) from adapter (9).
- Reassembly**
- 1) Clean all the parts thoroughly before assembling.
  - 2) Push ceramic seal (10) into the adapter (9) using thumbs only. Make sure the smooth surface of the ceramic seat faces outwards.
  - 3) Reassemble motor (8) to adapter (9) using motor tie bolts (7).
  - 4) Slip on rotating seal (6) to the shaft with the 'carbon' ring towards the ceramic seat.
  - 5) Replace the impeller (5) and the diffuser (3).
  - 6) Replace the casing (2) making sure that the o-ring is not damaged and is in place.
  - 7) Reinstall the drain plugs.
  - 8) Reconnect the power.
  - 9) Prime pump, start, check for leaks.

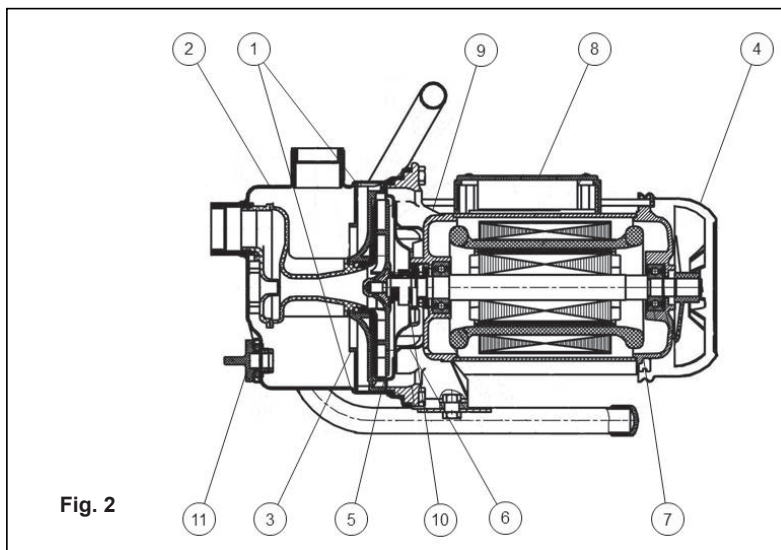


Fig. 2

### Replacement Parts Available

**Part #** 305594001

**Description:** Plug Kit

**Contents:** 1 drain plug, 1 priming plug

## TROUBLESHOOTING GUIDE

- a) **Motor will not start:**
- 1) No power due to blown fuses, open switches or loose connections.
- b) **Pump fails to deliver water:**
- 1) Pump not completely primed.
  - 2) Suction lift is too great.
  - 3) Foot valve is either not submerged, buried in the mud or plugged.
- c) **Pump loses prime:**
- 1) Air leaks in suction line.
  - 2) Well draw down too far.
  - 3) Faulty foot valve.
- d) **Pump delivers water but not at rated capacity:**
- 1) Leaks in suction or discharge line.
  - 2) Foot valve, suction line, impeller or nozzle are partially plugged.
  - 3) Suction lift is greater than recommended.
  - 4) Improper impeller rotation or low speed.
  - 5) Motor does not come off starting windings.
  - 6) Low line voltage at motor.

## LIMITED WARRANTY

For warranty consideration, the Red Lion brand (hereafter "the Brand") warrants that the products specified in this warranty are free from defects in material or workmanship of the Brand. During the time periods and subject to the terms and conditions hereinafter set forth, the Brand will repair or replace to the original user or consumer any portion of this product which proves defective due to materials or workmanship of the Brand. At all times the Brand shall have and possess the sole right and option to determine whether to repair or replace defective equipment, parts, or components. The Brand has the option to inspect any product returned under warranty to confirm that the warranty applies before repair or replacement under warranty is approved. This warranty sets forth the Brand's sole obligation and purchaser's exclusive remedy for defective product. Return defective product to the place of purchase for warranty consideration.

**WARRANTY PERIOD - PRODUCTS:** 24 months from date of purchase by the user. (No warranty on brushes, impeller or cam on models with brush-type motors and/or flex-vane impellers.) In the absence of suitable proof of the purchase date, the effective period of this warranty will begin on the product's date of manufacture.

**LABOR, ETC. COSTS:** The Brand shall IN NO EVENT be responsible or liable for the cost of field labor or other charges incurred by any customer in removing and/or affixing any product, part, or component thereof.

**PRODUCT IMPROVEMENTS:** The Brand reserves the right to change or improve its products or any portions thereof without being obligated to provide such a change or improvement for units sold and/or shipped prior to such change or improvement.

**GENERAL TERMS AND CONDITIONS:** This warranty shall not apply to damage due to acts of God, normal wear and tear, normal maintenance services and the parts used in connection with such service, lightning or conditions beyond the control of the Brand, nor shall it apply to products which, in the sole judgment of the Brand, have been subject to negligence, abuse, accident, misapplication, tampering, alteration; nor due to improper installation, operation, maintenance or storage; nor to excess of recommended maximums as set forth in the instructions.

Warranty will be VOID if any of the following conditions are found:

1. Product is used for purposes other than those for which it was designed and manufactured
2. Product not installed in accordance with applicable codes, ordinances, and good trade practices
3. Product connected to voltage other than indicated on nameplate
4. Pump used to circulate anything other than fresh water at approximately room temperature
5. Pump allowed to operate dry (fluid supply cut off)
6. Sealed motor housing opened or product dismantled by customer
7. Cord cut off to a length less than three feet

**DISCLAIMER:** Any oral statements about the product made by the seller, the Brand, the representatives, or any other parties do not constitute warranties, shall not be relied upon by the user, and are not part of the contract for sale. Seller's and the Brand's only obligation, and buyer's only remedy, shall be the replacement and/or repair by the Brand of the product as described above. NEITHER SELLER NOR THE BRAND SHALL BE LIABLE FOR ANY INJURY, LOSS OR DAMAGE, DIRECT, INCIDENTAL OR CONSEQUENTIAL (INCLUDING, BUT NOT LIMITED TO, INCIDENTAL OR CONSEQUENTIAL DAMAGES FOR LOST PROFITS, LOST SALES, INJURY TO PERSON OR PROPERTY, OR ANY OTHER INCIDENTAL OR CONSEQUENTIAL LOSS), ARISING OUT OF THE USE OR THE INABILITY TO USE THE PRODUCT, AND THE USER AGREES THAT NO OTHER REMEDY SHALL BE AVAILABLE TO IT. Before using, the user shall determine the suitability of the product for his intended use, and user assumes all risk and liability whatsoever in connection therewith. THE WARRANTY AND REMEDY DESCRIBED IN THIS LIMITED WARRANTY IS AN EXCLUSIVE WARRANTY AND REMEDY AND IS IN LIEU OF ANY OTHER WARRANTY OR REMEDY, EXPRESSED OR IMPLIED, WHICH OTHER WARRANTIES AND REMEDIES ARE HEREBY EXPRESSLY EXCLUDED, INCLUDING BUT NOT LIMITED TO ANY IMPLIED WARRANTY OF MERCHANTABILITY OR FITNESS FOR A PARTICULAR PURPOSE, TO THE EXTENT EITHER APPLIES TO A PRODUCT SHALL BE LIMITED IN DURATION TO THE PERIODS OF THE EXPRESSED WARRANTIES GIVEN ABOVE. Some states and countries do not allow the exclusion or limitations on how long an implied warranty lasts or the exclusion or limitation of incidental or consequential damages, so the above exclusion or limitations may not apply to you. This warranty gives you specific legal rights, and you may also have other rights which vary from state to state and country to country.

**Toll Free Help Hotline:  
1-888-956-0000**

**United States:**  
301 N. MacArthur Blvd.  
Oklahoma City, OK 73127

**Canada:**  
#101, 310 De Baets Street  
Winnipeg, Manitoba  
Canada R2J 0H4

**www.redlionproducts.com**  
customerservice@lgpc.com



**! CONSIGNES DE SÉCURITÉ**



**AVANT D'INSTALLER OU D'UTILISER CETTE POMPE, PRIÈRE DE LIRE LE PRÉSENT GUIDE ET SUIVRE TOUTES LES RÈGLES DE SÉCURITÉ ET INSTRUCTIONS D'UTILISATION.**

**⚠ AVERTISSEMENT  
- PRÉCAUTIONS ÉLECTRIQUES**

Tous câblage, connexions électriques et mise à la terre des systèmes doivent se conformer au Code National d'Electricité (NEC) et aux codes et ordonnances locaux. Employez un électricien autorisé.

**⚠ POUR LES MOTEURS BI-TENSION:**

Les instructions pour changer la tension sont sur l'étiquette du moteur ou sur le couvercle d'accès aux files électriques.

**⚠ AVERTISSEMENT  
- RISQUE DE CHOC ÉLECTRIQUE**

- Cette pompe est fournie avec un conducteur de mise à la terre et une fiche pour mise à la terre.
- fuite à la terre avec n'importe quel appareil électrique qui fonctionne près de l'eau.

- Demandez à un électricien de poser une prise de courant à proximité
- **Pour diminuer le risque de choc électrique**, assurez-vous qu'elle est toujours connectée à une prise appropriée et bien mise à la terre.
- On vous recommande d'utiliser un circuit à détecteur disjoncteur dedu lieu d'utilisation.
- La pompe et le moteur doivent être protégés contre les intempéries. On ne doit utiliser cet appareil qu'à l'intérieur.
- Il faut relier le moteur à la terre et mettre le couvre-bornes en place pour réduire le danger de choc électrique.
- Gardez les alentours du moteur aussi secs que possible.
- Déconnectez toujours le courant avant d'entretenir ou de réparer l'appareil.
- Cet appareil n'a pas été mis à l'essai ni approuvé pour aucune utilisation à proximité d'une piscine.

## UTILISATION

La pompe à injection pour arroseurs est un appareil polyvalent qu'on peut employer pour augmenter la pression des petits systèmes souterrains d'arrosage, pour alimenter les arroseurs de pelouse et pour de nombreuses autres applications générales. Cet appareil convient bien aux installations où la distance verticale entre la

pompe et le niveau de l'eau ne dépasse pas \*25 pieds (7,6 mètres), y compris l'abaissement de ce niveau. Dans le cas d'une installation déportée, il faut aussi tenir compte des pertes par frottement dans la conduite d'aspiration. (Consultez le Tableau 2 - Pertes par frottement). \*Moins aux hautes altitudes.

## INSTALLATION

- a) **Emplacement de la pompe** : La pompe devrait être installée dans un endroit propre, sec et bien ventilé, où il y a suffisamment d'espace pour l'entretien et de protection contre le gel. Elle devrait être boulonnée sur une base solide, de préférence en béton, et bénéficier d'un égouttement approprié. En plaçant la pompe aussi près que possible de la source d'eau, on réduit le frottement dans la conduite d'aspiration, pour ainsi profiter de sa capacité maximale.
- b) **Conduite d'aspiration** : On recommande l'emploi d'un boyau ou d'un tuyau propre et neuf de 1 pouce. Si la pompe est installée à une assez grande distance de la source d'eau, la conduite d'aspiration devrait avoir 1-1/4 pouce de diamètre. Le tuyau horizontal doit aller en montant graduellement à partir de la source d'eau jusqu'à la pompe, afin de prévenir la formation de poches d'air dans la canalisation. On vous conseille aussi d'utiliser une pâte lubrifiante sur les filets de tous les joints et de serrer solidement les raccords.

Vous devez poser un clapet de pied et vérifier son efficacité, car toute fuite empêcherait le système de fonctionner correctement. N'oubliez pas que ce clapet de pied doit toujours être submergé. Si vous avez un tuyau de pénétration dans le sable ou un puits tubulaire, posez un clapet de retenue à côté de l'aspiration de la pompe, au lieu d'un clapet de pied. Si cet appareil est utilisé comme pompe de renfort ou de surpression, aucun clapet de pied n'est requis.

- c) **Canalisation de service** : La conduite d'approvisionnement devrait être raccordée de la manière illustrée dans la Figure 1. Le diamètre de cette conduite dépend entièrement de la quantité d'eau requise et de la longueur du tuyau. Le diamètre du tuyau choisi devrait être suffisant pour que la perte par frottement (déterminée à partir du Tableau 2) ne dépasse jamais 20 pieds (6 mètres) de refoulement.

# ATTENTION

Si le fil entre le moteur et la source de courant est trop petit, les capacités de démarrage et de charge du moteur seront limitées. Vous trouverez, au Tableau 1, les calibres de fil recommandés pour les circuits de dérivation du moteur.

**TABEAU 1**

Mesure recommandée de fil pour la longueur électrique de corde						
CV	Volts	0-25 pi.	50 pi.	100 pi.	150 pi.	200 pi.
1/2	115	14	12	10	8	6

**TABEAU 2 – PERTE PAR FROTTEMENT DANS LES TUYUX EN PLASTIQUE:**

Pour des tuyaux galvanisés, doublez les valeurs.  
Perte de charge en pieds, due au frottement, par 100 pieds de conduite.

Perte de charge en mètres, due au frottement, par 100 mètres de conduite.

Diamètre nominal du tuyau Gallons U.S. par min.	3/4 po.	1 po.	1-1/4 po.	1-1/2 po.	2 po.
4	3.75	1.15	0.30	0.14	–
5	5.66	1.75	0.46	0.22	–
6	7.95	2.45	0.65	0.31	–
7	10.60	3.25	0.86	0.41	–
8	13.50	4.16	1.10	0.52	–
9	16.80	5.17	1.35	0.65	–
10	20.40	6.31	1.67	0.79	0.23
11	24.40	7.58	1.98	0.95	0.27
12	28.60	8.85	2.33	1.10	0.32
14	38.00	11.80	3.10	1.46	0.43
16	48.60	15.10	3.96	1.87	0.55
18	60.50	18.70	4.93	2.33	0.69
20	73.50	22.80	6.00	2.83	0.84

Diamètre nominal du tuyau Litres par min.	20mm	25mm	32mm	40mm	50mm
15	3.7	1.15	0.30	0.13	–
20	5.3	1.64	0.43	0.19	–
25	7.1	2.18	0.56	0.27	–
30	13.5	4.13	1.08	0.49	–
35	16.3	5.00	1.31	0.61	–
40	23.5	7.30	1.90	0.88	0.25
45	28.3	8.74	2.31	1.07	0.29
50	34.2	10.60	2.79	1.32	0.38
55	40.7	12.60	3.32	1.56	0.46
60	48.1	14.90	3.92	1.85	0.54
65	55.7	17.30	4.45	2.15	0.63
70	63.8	19.70	5.20	2.46	0.73
75	72.2	22.40	5.89	2.78	0.83

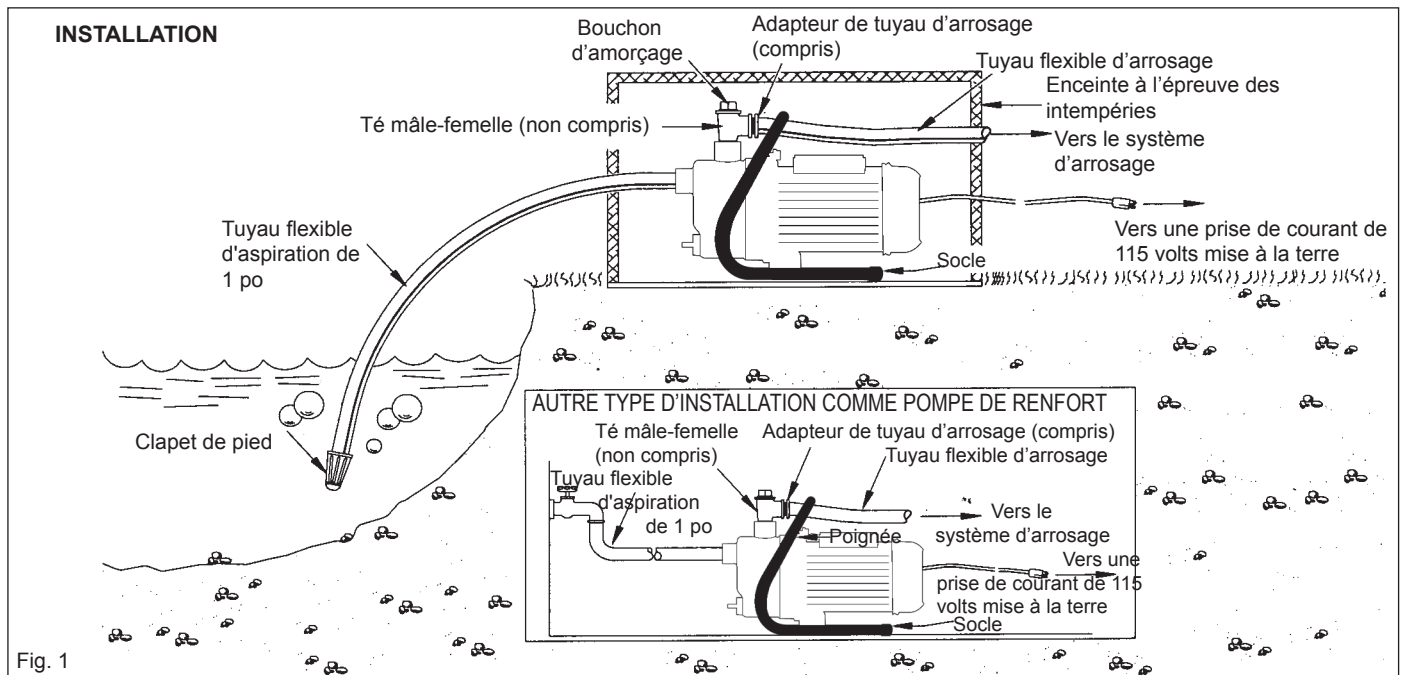


Fig. 1

## FONCTIONNEMENT - AMORÇAGE DE LA POMPE



**AVERTISSEMENT DE NE PAS FAIRE FONCTIONNER LA POMPE À SEC AVANT L'AMORÇAGE, SINON LE JOINT D'ÉTANCHÉITÉ ET LA ROUE DE TURBINE SERAIENT ENDOMMAGÉS DE FAÇON PERMANENTE.**

- a) **Amorçage:** Ne faites jamais marcher la pompe avant de l'avoir amorcée, car son joint et sa turbine pourraient être irrémédiablement endommagés. Retirez le bouchon du té mâle-femelle et versez de l'eau propre dans l'appareil, jusqu'à ce que le corps de la pompe et sa canalisation d'aspiration soient complètement pleins. Remettez le bouchon d'amorçage en place et faites démarrer le moteur. Si l'appareil a été bien amorcé, il devrait se mettre à pomper presque immédiatement. Si ce n'est pas le cas, répétez le procédé d'amorçage jusqu'à ce que l'air ait été complètement chassé de la canalisation d'aspiration. Si la pompe a un clapet de retenue au lieu d'un clapet de pied, l'amorçage initial pourrait prendre de cinq à 15 minutes, selon la hauteur d'aspiration. (Plus cette hauteur est grande, plus l'amorçage est long). Lorsque la hauteur d'aspiration est de 10 pieds ou plus, il faut ajouter de l'eau dans le carter de la pompe à environ toutes les trois minutes, jusqu'à ce qu'elle soit amorcée. Si la pompe n'est pas encore amorcée au bout de 25 minutes, arrêtez-la et voyez s'il n'y aurait pas une fuite dans l'aspiration.
- b) **Vidange:** Si l'appareil est dans un endroit exposé au gel, vous devrez vidanger la pompe et le réservoir. Pour ce faire, coupez le courant électrique qui alimente la pompe au panneau principal. Ouvrez une soupape dans le système pour en éliminer la pression. Enlevez les bouchons de vidange et d'amorçage de la pompe. Avant de reposer ces bouchons, attendez que le système ait eu le temps de bien se vider.

## ENTRETIEN



### AVERTISSEMENT - PRÉCAUTIONS ÉLECTRIQUES

Tous câblage, connexions électriques et mise à la terre des systèmes doivent se conformer au Code National d'Electricité (NEC) et aux codes et ordonnances locaux. Employez un électricien autorisé.



### AVERTISSEMENT - RISQUE DE CHOC ÉLECTRIQUE

Avant d'entretenir n'importe quel appareil à moteur, coupez le courant électrique au panneau principal et déconnectez le moteur et les accessoires. Travaillez toujours prudemment lorsque vous entretenez ou réparez cet équipement.

- a) **Lubrification:** La pompe ne requiert aucune lubrification. Reportez-vous aux instructions du fabricant du moteur pour la lubrification du moteur.
- b) **Remplacement du joint mécanique : (Voir fig. 2)**
- Démontage**
- 1) Coupez l'alimentation de la pompe au tableau principal et débranchez l'alimentation électrique du moteur.
  - 2) Ouvrez un robinet dans le circuit d'alimentation en eau pour relâcher la pression.
  - 3) Retirez les bouchons d'amorçage et de vidange (11) pour permettre à la pompe de se vider.
  - 4) Retirez les 4 boulons (1) et enlevez le boîtier (2).
  - 5) Tirez le diffuseur (3) hors du boîtier à l'aide de 2 tournevis plats pour faire levier.
  - 6) Retirez le déflecteur de ventilateur (4) et insérez un tournevis dans la fente de l'arbre pour l'empêcher de tourner lors du dévissage de la turbine (5) dans le sens antihoraire.
  - 7) Faites glisser le joint rotatif (6) de l'arbre.
  - 8) Retirez les vis de serrage du moteur (7) et enlevez le moteur (8) de l'adaptateur (9) en tapant légèrement l'extrémité de l'arbre moteur avec un maillet.
  - 9) Enlevez le siège d'étanchéité en céramique (10) de l'adaptateur (9).
- Remontage**
- 1) Nettoyez minutieusement toutes les pièces avant l'assemblage.
  - 2) Poussez le joint en céramique (10) dans l'adaptateur (9) avec le pouce. Assurez-vous que la surface lisse du siège en céramique est tournée vers l'extérieur.
  - 3) Remontez le moteur (8) sur l'adaptateur (9) en utilisant les vis de serrage du moteur (7).
  - 4) Faites glisser le joint rotatif (6) sur l'arbre avec l'anneau en carbone tourné vers le siège en céramique.
  - 5) Remettez la turbine (5) et le diffuseur (3).
  - 6) Remettez le boîtier (2) en vous assurant que le joint torique n'est pas endommagé et qu'il est en place.
  - 7) Remettez les bouchons de vidange.
  - 8) Rebranchez l'alimentation.
  - 9) Amorcez la pompe, démarrez, vérifiez s'il y a des fuites.

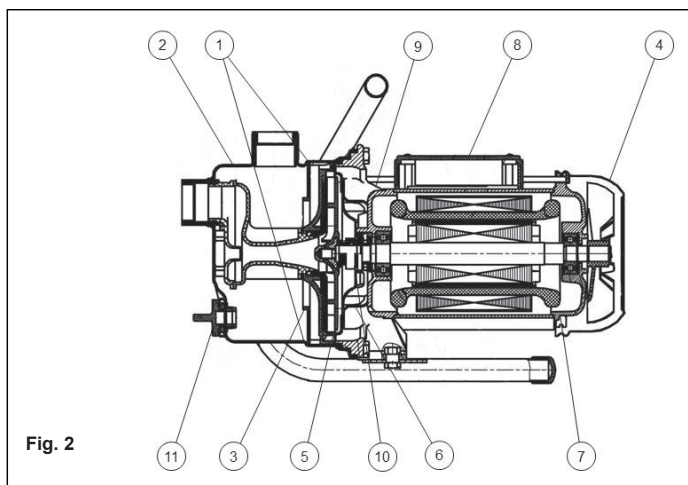


Fig. 2

### Pièces de rechange disponibles

**Article :** 305594001

**Description :** Kit de bouchon

**Contenus :** 1 bouchon de vidange, 1 bouchon d'amorçage

## GUIDE DE DÉPANNAGE

- a) **Le moteur refuse de démarrer :**
- 1) Il n'y a pas de courant à cause d'un fusible sauté, d'un commutateur ouvert ou d'une connexion desserrée.
- b) **La pompe ne donne pas d'eau :**
- 1) La pompe n'est pas complètement amorcée.
  - 2) La hauteur d'aspiration est trop grande.
  - 3) Le clapet de pied est sorti de l'eau, enfoui dans la boue ou engorgé.
- c) **La pompe perd son amorçage :**
- 1) Il y a infiltration d'air dans la canalisation d'aspiration.
- 2) Le niveau de l'eau est trop bas dans le puits.
  - 3) Le clapet de pied est défectueux.
- d) **La pompe donne de l'eau mais pas autant que prévu :**
- 1) Il y a une fuite dans la canalisation d'aspiration ou de refoulement.
  - 2) Le clapet de pied, la canalisation d'aspiration, la turbine et/ou l'injecteur sont partiellement engorgés.
  - 3) La hauteur d'aspiration est trop grande.
  - 4) La turbine tourne incorrectement ou trop lentement.
  - 5) Le moteur ne quitte pas les enroulements de démarrage.
  - 6) La tension du secteur qui alimente le moteur est trop basse.

## GARANTIE LIMITÉE

Lors des requêtes en garantie, Franklin Electric Company, Inc. et ses filiales (ci-après appelée « l'Entreprise ») garantit les produits spécifiés dans cette garantie contre tout défaut de matériaux et de main-d'œuvre. Pendant les périodes couvertes par la garantie et selon les conditions indiquées dans la présente, l'Entreprise réparera ou remplacera toute partie de ce produit présentant une défaillance liée aux matériaux ou à la main-d'œuvre, et ce uniquement auprès du premier utilisateur ou acheteur. En tout temps, l'Entreprise conserve le droit et l'option de déterminer si un équipement, des pièces ou des composants défectueux doivent être réparés ou remplacés. L'Entreprise peut inspecter tout produit sous garantie qui lui est retourné afin de confirmer que la garantie s'applique, avant d'approuver la réparation ou le remplacement. Cette garantie stipule l'unique obligation de l'Entreprise et le recours exclusif de l'acheteur pour un produit défectueux. Retourner le produit défectueux au détaillant pour les requêtes en garantie.

**PÉRIODE DE GARANTIE – PRODUITS :** 24 mois à partir de la date d'achat par l'utilisateur. (Aucune garantie n'est offerte pour les balais, le rotor ou la came sur les modèles avec moteur à balais et/ou rotor flexible à palettes.) En l'absence d'une preuve adéquate de la date d'achat, la période d'application commencera à partir de la date de fabrication.

**COÛTS DE MAIN-D'ŒUVRE, ETC. :** EN AUCUN CAS l'Entreprise ne pourra être tenue responsable du coût de la main-d'œuvre ou d'autres frais encourus par un client lors de la dépose et/ou de la réparation d'un produit, d'une partie ou d'un composant.

**AMÉLIORATIONS DU PRODUIT :** L'Entreprise se réserve le droit de modifier ou d'améliorer ses produits, ou une quelconque de leur partie, sans obligation de fournir une telle modification ou amélioration aux appareils déjà vendus et/ou expédiés avant que de telles modifications ou améliorations n'aient été apportées.

**CONDITIONS ET MODALITÉS GÉNÉRALES :** Cette garantie ne couvre pas les dommages causés par une catastrophe naturelle, l'usure normale, la foudre ou des conditions hors du contrôle de l'Entreprise; et elle ne couvre pas non plus les services d'entretien normaux et aux pièces usées associés à un tel service, ni les produits qui, selon le jugement exclusif de l'Entreprise, ont été exposés à la négligence, l'abus, un accident, une application inappropriée, une altération, une modification; ni aux dommages causés par une installation, une utilisation, un entretien ou un entreposage inadéquat; ni à une utilisation au-delà des maximums. La garantie est NULLE si l'une des conditions suivantes s'applique :

1. Le produit est utilisé pour des applications autres que celles pour lesquelles il a été conçu et fabriqué.
2. Le produit n'est pas installé dans le respect des codes et règlements applicables et selon les bonnes pratiques acceptées dans l'industrie.
3. Le produit a été branché à une tension autre que celle indiquée sur la plaque signalétique.
4. La pompe a été utilisée avec des liquides autres que de l'eau douce approximativement à la température ambiante.
5. La pompe a fonctionné à sec (alimentation en liquide coupée).
6. Le carter moteur scellé a été ouvert ou le produit a été démonté par le client.
7. Le cordon a été coupé à une longueur inférieure à 0,9 m (3 pieds).

**AVIS DE NON-RESPONSABILITÉ :** Toute déclaration verbale portant sur le produit, faite par le vendeur, l'Entreprise, les représentants ou toute autre partie ne constitue pas une garantie et ne peut être considérée par l'utilisateur comme faisant partie du contrat de vente. La seule obligation du vendeur ou de l'Entreprise et le seul recours de l'acheteur est le remplacement et/ou la réparation du produit par l'Entreprise, comme il est décrit ci-dessus. **LE VENDEUR OU L'ENTREPRISE NE PEUT ÊTRE TENU RESPONSABLE POUR TOUTE BLESSURE, PERTE OU DOMMAGE DIRECT, INDIRECT OU CONSÉCUTIF (INCLUANT MAIS SANS S'Y LIMITER LES DOMMAGES INDIRECTS OU CONSÉCUTIFS LIÉS À UNE PERTE DE PROFITS, UNE PERTE DE VENTES, DES BLESSURES OU DES DOMMAGES MATÉRIELS, OU TOUT AUTRE INCIDENT OU PERTE CONSÉCUTIVE), RÉSULTANT DE L'UTILISATION OU DE L'IMPOSSIBILITÉ D'UTILISER LE PRODUIT; DE PLUS, L'UTILISATEUR ACCEPTE QU'AUCUN AUTRE RECOURS N'EST DISPONIBLE.** Avant de commencer à utiliser le produit, l'utilisateur doit déterminer si ce produit est adapté à l'usage prévu; et l'utilisateur assume tous les risques et toutes les responsabilités qui sont liés à cette utilisation. **LA GARANTIE ET LES MESURES CORRECTIVES DÉCRITES DANS LA PRÉSENTE GARANTIE LIMITÉE CONSTITUENT UNE GARANTIE ET DES MESURES CORRECTIVES EXCLUSIVES EN LIEU ET PLACE DE TOUTE AUTRE GARANTIE ET MESURE CORRECTIVE, EXPRESSE OU IMPLICITE; ET TOUTE AUTRE GARANTIE ET MESURE CORRECTIVE EST EXPRESSÉMENT EXCLUE, INCLUANT, MAIS SANS S'Y LIMITER, TOUTE GARANTIE IMPLICITE DE QUALITÉ MARCHANDE OU D'ADAPTATION À UN USAGE PARTICULIER.** Certaines juridictions et certains pays interdisent les exclusions ou les limitations de durée d'une garantie implicite ou l'exclusion ou la limitation des dommages indirects ou consécutifs; les limitations ou exclusions ci-dessus pourraient donc ne pas s'appliquer à votre cas. Cette garantie vous donne des droits légaux spécifiques et vous pourriez également jouir d'autres droits qui varient selon la juridiction ou le pays.

**Service à la Clientèle:**  
**1-888-956-0000**

**États-Unis.:**  
301 N. MacArthur Blvd.  
Oklahoma City, OK 73127

**Canada:**  
#101, 310 De Baets Street  
Winnipeg, Manitoba  
Canada R2J 0H4

**www.redlionproducts.com**  
customerservice@lgpc.com



**BOMBA JET  
PARA ASPERSIÓN  
RJSE-75SS****! ADVERTENCIAS DE SEGURIDAD**

**LEA ESTE MANUAL Y SIGA TODAS LAS REGLAS DE SEGURIDAD ANTES DE INSTALAR U OPERAR ESTA BOMBA.**

**! AVISO - PRECAUCIONES ELÉCTRICAS**

Todo cableado, conexiones eléctricas y sistemas de contacto a tierra deben cumplir con el Código Eléctrico Nacional (NEC) y con cualquier código y ordenanza local. Contrate los servicios de un electricista con licencia.

**! PARA MOTORES DE DOS VOLTIOS:**

Las instrucciones por el cambio de voltio estan sobre la etiqueta del motor o la cubierta del alambrado.

**! AVISO - RIESGO DE DESCARGA ELÉCTRICA**

- Esta bomba tiene un conductor a tierra y un enchufe de acoplamiento del tipo con conector a tierra.
- **Para reducir el riesgo de una descarga eléctrica**, asegúrese que esté conectada solamente a un tomacorrientes adecuadamente conectado a tierra y del tipo con conector a tierra.

- Se recomienda se use un circuito protegido con interruptor por falla a tierra (GFI) con cualquier dispositivo que se opere cerca del agua.
- Haga que un electricista proporcione un tomacorrientes cerca de donde se va a usar. Vea en la tabla 1 el calibre recomendado de cable.
- La bomba y el motor deben estar protegidos de la intemperie, es para uso en el interior solamente.
- El motor debe estar conectado a tierra y la tapa del terminal debe estar en su sitio para reducir el riesgo de una descarga eléctrica.
- Mantenga el área de operación del motor tan seca como sea posible.
- Desconecte siempre la electricidad antes de darle servicio.
- No se ha investigado su uso en el área de albercas.

**APLICACIÓN**

La bomba de riego a chorro es una bomba versátil para aumentar la presión: para pequeños sistemas de riego bajo tierra, para regaderas de jardín y para una multitud de otras aplicaciones de tipo general. Esta bomba es para lugares donde la distancia vertical desde la bomba hasta el nivel del agua no excede los 25\* pies (7.6 metros) desde el nivel más

bajo del agua. En instalaciones donde hay una distancia entre el pozo y la bomba, se debe tomar en consideración la pérdida por la fricción en la tubería de aspiración. (Vea la Tabla 2: Tabla de Pérdida por Fricción). \* Menor a mayores alturas.

**INSTALACIÓN**

- Ubicación de la Bomba:** La bomba se debe instalar en un área limpia, seca y ventilada que proporcione suficiente espacio para su mantenimiento y protección contra temperaturas de congelamiento. Debe estar sujeta con pernos a una buena base, preferentemente de concreto y con desagüe adecuado. El colocar la bomba lo más cerca posible a la fuente de agua reduce la fricción en la tubería de aspiración y proporcionará las capacidades máximas.
- Tubería de aspiración:** Se recomienda se use solamente una tubería o manguera nueva, limpia, de 1 pulgada. Si la bomba se instala a una distancia apreciable de la fuente de agua, la tubería de aspiración se debe aumentar a 1 1/4 pulgadas. Las tuberías largas horizontales deben inclinarse gradualmente hacia arriba desde la fuente de agua hacia la bomba para evitar burbujas de aire en la tubería. Se debe usar un compuesto o pegamento para todas las roscas de las uniones de las tuberías, y todas las conexiones se

- deben ajustar completamente. Se debe instalar una válvula de pie y se debe revisar su funcionamiento, ya que una fuga prevendría el adecuado funcionamiento del sistema. Asegúrese que la válvula de pie esté ubicada de tal manera que esté sumergida en todo momento. Si se usa una base al fondo del pozo, o si es un pozo guiado, instale una válvula de chequeo junto a la aspiración de bomba en lugar de la válvula de pie. No se necesita usar la válvula de pie si la bomba se usa como aumentador de presión.
- Línea de Servicio:** La línea de servicio debe estar conectada tal como se muestra en la figura 1. El tamaño requerido de la línea de servicio depende completamente de la cantidad de agua que se necesita y del largo de la tubería. La tubería que se elija debe ser suficientemente larga para que la pérdida por fricción (determinada de la tabla 2, Tabla de Pérdida por Fricción) nunca exceda los 20 pies (6 metros) de presión.

**⚠ CUIDADO**

Un cable eléctrico de menor tamaño entre el motor y la fuente de poder limitará adversamente el encendido y el poder de carga del motor. En la tabla 1 se recomiendan los calibres mínimos para los cables de extensión del motor.

**TABLA 1**

Calibres recomendados para el largo del cable eléctrico						
CV	Voltios	0-25 pi.	50 pi.	100 pi.	150 pi.	200 pi.
1/2	115	14	12	10	8	6

**TABLA 2 - TABLA DE PÉRDIDA POR FRICCIÓN PARA TUBERÍAS DE PLÁSTICO:**

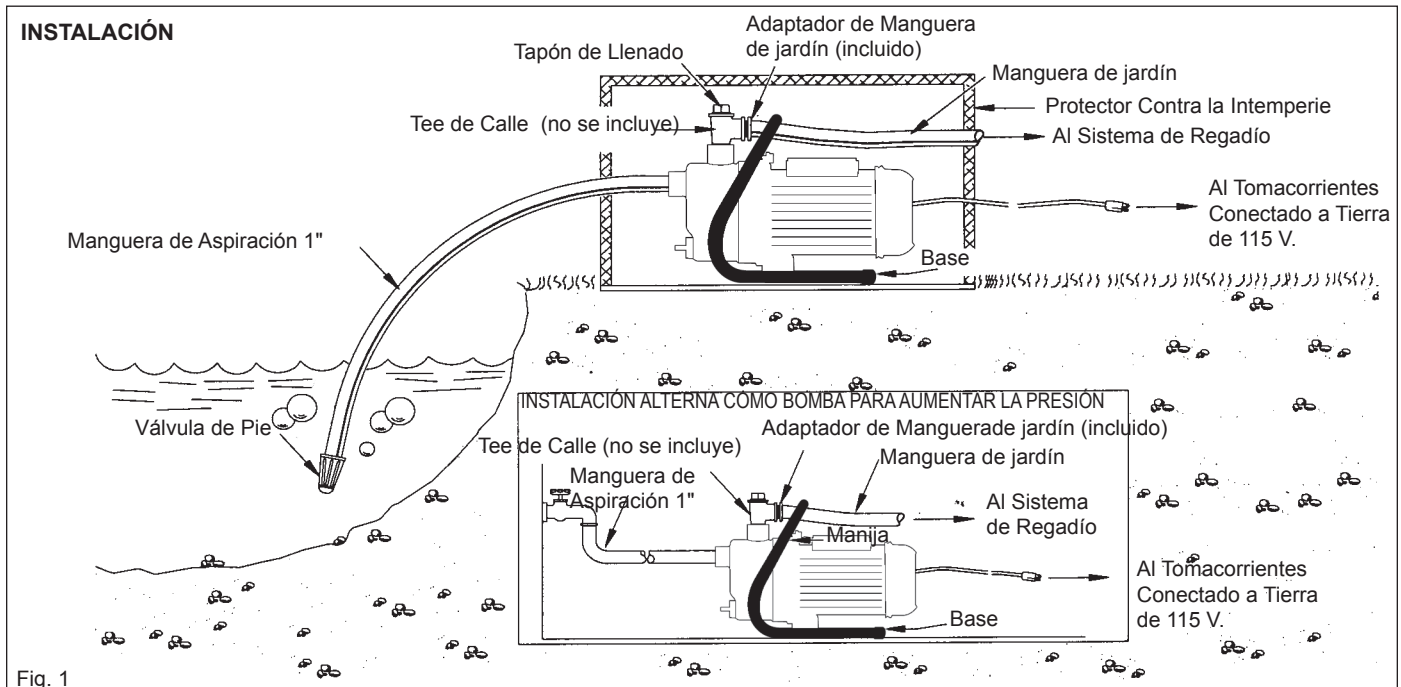
Duplique el número para tuberías galvanizadas.

Pérdida de presión en pies, debido a la fricción por 100 pies de tubería.

Pérdida de presión en metros, debido a la fricción por 100 metros de tubería.

Tamaño nominal de tubería Galones Americanos/min.	3/4 pulg.	1 pulg.	1-1/4 pulg.	1-1/2 pulg.	2 pulg.
4	3.75	1.15	0.30	0.14	–
5	5.66	1.75	0.46	0.22	–
6	7.95	2.45	0.65	0.31	–
7	10.60	3.25	0.86	0.41	–
8	13.50	4.16	1.10	0.52	–
9	16.80	5.17	1.35	0.65	–
10	20.40	6.31	1.67	0.79	0.23
11	24.40	7.58	1.98	0.95	0.27
12	28.60	8.85	2.33	1.10	0.32
14	38.00	11.80	3.10	1.46	0.43
16	48.60	15.10	3.96	1.87	0.55
18	60.50	18.70	4.93	2.33	0.69
20	73.50	22.80	6.00	2.83	0.84

Tamaño nominal de tubería L/min.	20mm	25mm	32mm	40mm	50mm
15	3.7	1.15	0.30	0.13	–
20	5.3	1.64	0.43	0.19	–
25	7.1	2.18	0.56	0.27	–
30	13.5	4.13	1.08	0.49	–
35	16.3	5.00	1.31	0.61	–
40	23.5	7.30	1.90	0.88	0.25
45	28.3	8.74	2.31	1.07	0.29
50	34.2	10.60	2.79	1.32	0.38
55	40.7	12.60	3.32	1.56	0.46
60	48.1	14.90	3.92	1.85	0.54
65	55.7	17.30	4.45	2.15	0.63
70	63.8	19.70	5.20	2.46	0.73
75	72.2	22.40	5.89	2.78	0.83



## FUNCIONAMIENTO - CÓMO CARGAR LA BOMBA

**AVISO:** NO OPERAR LA BOMBA ANTES DE CARGARLA, EL SELLO Y EL PROPULSOR PODRÍAN DAÑARSE PERMANENTEMENTE.

- a) **Llenado:** No prenda la bomba antes de llenarla, ya que se podrían dañar permanentemente el sello y el propulsor. Quite el tapón de la tee de calle y vierta agua limpia en la unidad hasta que se llenen completamente el cuerpo de la bomba y la tubería. Vuelva a colocar el tapón de llenado y prenda el motor. Si la unidad está llenada adecuadamente, ésta debería bombear casi inmediatamente. Si no, repita el procedimiento de llenado hasta que se haya eliminado todo el aire de la línea de aspiración. Si se usa una válvula de chequeo en la línea en lugar de la válvula de pie, el llenado inicial puede tomar de 5 a 15 minutos, dependiendo de la elevación de aspiración (una elevación a mayor altura requiere mayor tiempo de llenado).
- b) **Drenado:** Si la unidad es expuesta al congelamiento, entonces es necesario drenar la bomba y el tanque. Para hacerlo apague la electricidad a la bomba en el panel principal de servicio eléctrico. Abra una válvula en el sistema para reducir la presión. Quite los tapones de drenaje y de llenado del cuerpo de la bomba. ¡Deje que pase tiempo suficiente para que el sistema se drene antes de volver a poner los tapones!

## MANTENIMIENTO

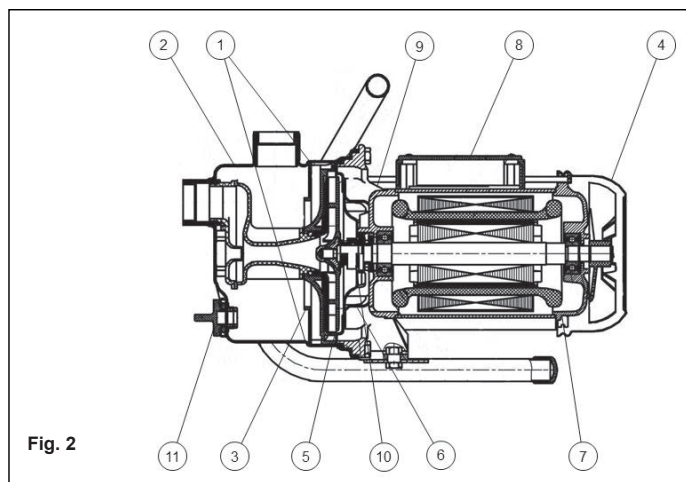
### AVISO - PRECAUCIONES ELÉCTRICAS

Todo cableado, conexiones eléctricas y sistemas de contacto a tierra deben cumplir con el Código Eléctrico Nacional (NEC) y con cualquier código y ordenanza local. Contrate los servicios de un electricista con licencia.

### AVISO - RIESGO DE DESCARGA ELÉCTRICA

Antes de prestar servicio a un equipo operado a motor, desconecte la electricidad al motor y a los accesorios en el panel principal de servicio eléctrico. Practique reglas de seguridad de trabajo cuando preste servicios al equipo.

- a) **Lubricación:** La bomba no necesita. Por la lubricación del motor, consulte las instrucciones del fabricante del motor.
- b) **Reemplazo del sello mecánico: (Consulte la Fig. 2)**
- Desmontaje**
- 1) Desconecte la alimentación de la bomba desde el panel de servicio principal y desconecte el suministro de alimentación del motor.
  - 2) Abra un grifo en el sistema de agua para liberar la presión.
  - 3) Retire los tapones de drenaje (11) y del cebador para permitir que la bomba se drene.
  - 4) Retire los 4 tornillos (1) y retire la caja (2).
  - 5) Haga palanca para retirar el difusor (3) de la caja utilizando 2 destornilladores ranurados.
  - 6) Retire la carcasa del ventilador (4) e inserte un destornillador en la ranura del eje para evitar que gire mientras desatornilla la turbina (5) en sentido contrario a las agujas del reloj.
  - 7) Deslice la junta de rotación (6) hacia afuera del eje.
  - 8) Retire los tornillos de anclaje (7) del motor y retire el motor (8) del adaptador (9) golpeando levemente el extremo del motor con un martillo.
  - 9) Retire el asiento del sello cerámico (10) del adaptador (9).
- Remontaje**
- 1) Limpie todas las piezas por completo antes de montar.
  - 2) Empuje el sello cerámico (10) dentro del adaptador (9) usando solo los dedos. Asegúrese de que la superficie lisa del asiento cerámico esté orientada hacia afuera.
  - 3) Vuelva a montar el motor (8) en el adaptador (9) utilizando los tornillos de anclaje (7).
  - 4) Deslice la junta de rotación (6) en el eje con el anillo de 'carbono' hacia el asiento cerámico.
  - 5) Vuelva a colocar la turbina (5) y el difusor (3).
  - 6) Vuelva a colocar la caja (2) asegurándose de que la junta tórica no esté dañada y se encuentre en su lugar.
  - 7) Vuelva a instalar los tapones de drenaje.
  - 8) Vuelva a conectar la alimentación.
  - 9) Ceebe la bomba, encienda, verifique que no haya fugas.



### Piezas de recambio disponibles

**Artículo:** 305594001

**Descripción:** Kit de enchufe

**Contenidos:** 1 tapón de drenaje, 1 tapón de cebado

## GUÍA PARA SOLUCIONAR PROBLEMAS

- a) **El motor no prende:**
- 1) No hay electricidad debido a fusibles quemados, interruptores abiertos o conexiones sueltas.
- b) **La bomba no bombea agua:**
- 1) La bomba no está llena por completo.
  - 2) La elevación por succión es demasiada.
  - 3) La válvula de pie no está sumergida, está enterrada en el lodo o no está conectada.
- c) **La bomba pierde el agua que se le echa:**
- 1) Hay una fuga de aire en la línea de succión.
- 2) Nivel de sacado de agua del pozo está muy abajo.
  - 3) Válvula de pie defectuosa.
- d) **La bomba saca agua pero en menor cantidad de lo que debe:**
- 1) Fugas en la línea de succión o descarga.
  - 2) La válvula de pie, la línea de succión, el propulsor o la boquilla están parcialmente bloqueadas.
  - 3) La elevación por succión es mayor que la que se recomienda.
  - 4) Rotación inadecuada del propulsor o baja velocidad.
  - 5) El motor está defectuoso.
  - 6) Línea de bajo voltaje en el motor.

## GARANTÍA LIMITADA

Para consideraciones de la garantía, Franklin Electric Company, Inc. y sus subsidiarios (denominada de ahora en adelante "la Compañía"), garantiza que los productos especificados en esta garantía están libres de defectos en los materiales y en la mano de obra de la Compañía. Durante el período, y sujeto a los términos estipulados en este documento, la Compañía reparará o reemplazará al cliente o usuario original cualquier parte del producto que presente defectos materiales o de fabricación atribuibles a la compañía. En todo momento, la Compañía tendrá y poseerá el único derecho y opción de determinar si repara o reemplaza el equipo, piezas o componentes defectuosos. La Compañía tiene la opción de inspeccionar cualquier producto devuelto bajo los términos de la garantía para confirmar que esté cubierto por la garantía antes aprobar la reparación o reemplazo según la garantía. Esta garantía constituye la única obligación de la Compañía y es el único recurso que tiene el cliente si el producto tiene defectos. Devuelva el producto defectuoso al sitio de compra para que sea considerado bajo la garantía.

**DURACIÓN DE LA GARANTÍA – PRODUCTOS:** 24 meses a partir de la fecha de compra por el cliente. (Los cepillos, el impulsor o la leva en los modelos con motor de cepillo y/o los impulsores de aletas flexibles no están cubiertos por la garantía.) En caso de que no exista un comprobante adecuado de la fecha de compra, el período efectivo de esta garantía comenzará a partir de la fecha de fabricación del producto.

**MANO DE OBRA Y OTROS COSTOS:** La Compañía DE NINGUNA MANERA será responsable por el costo de la mano de obra en el campo u otros cargos en que incurra cualquier cliente al retirar y/o instalar algún producto, pieza o componente.

**MEJORAS AL PRODUCTO:** La Compañía se reserva el derecho de cambiar o mejorar sus productos, o cualquier parte de los mismos, sin que por ello tenga la obligación de realizar dicho cambio o mejora en las unidades vendidas y/o despachadas con anterioridad.

**TÉRMINOS Y CONDICIONES GENERALES:** Esta garantía no tiene efecto si los daños se deben a fuerza mayor, desgaste por uso normal, servicios de mantenimiento normal y la piezas utilizadas para dicho servicio, rayos o condiciones que estén fuera del alcance de la Compañía, como tampoco tendrá vigencia en aquellos productos que, a criterio exclusivo de la Compañía, hayan sido sujetos a negligencia, maltrato, accidente, mal uso, manipulación indebida, alteración o instalación, funcionamiento, mantenimiento o almacenamiento indebidos, o si se sobrepasan los valores máximos recomendados, estipulados en estas instrucciones.

Esta garantía quedará ANULADA si se hallan cualesquiera de las siguientes condiciones:

1. El producto se utiliza para propósitos distintos a aquellos para los cuales fue diseñado y fabricado
2. El producto no fue instalado de conformidad con las normas, reglamentos y prácticas comerciales aceptadas
3. El producto se conecta a un voltaje distinto al que se indica en la placa de identificación
4. La bomba se utilizó con fluidos distintos al agua dulce a temperatura ambiente aproximadamente
5. La bomba funcionó sin líquido (se cortó el suministro de líquido)
6. El cliente abrió el alojamiento sellado del motor o desarmó el producto
7. El cable se cortó a un largo menor que 0,9 m (3 pies)

**EXENCIÓN DE RESPONSABILIDAD:** Toda afirmación verbal con respecto al producto, por parte del vendedor, la Compañía, los representantes o cualquier otra parte, no constituye garantía alguna, no debe ser considerada como tal por el usuario y no forma parte del contrato de venta. La única obligación del vendedor y la Compañía, y el único recurso del comprador, será el reemplazo y/o reparación que hará la Compañía del producto, tal como se describió anteriormente. NI EL VENDEDOR NI LA COMPAÑÍA SERÁN RESPONSABLES POR CUALQUIER LESIÓN, PÉRDIDA O DAÑO DIRECTO, INCIDENTAL O INDIRECTO (LO QUE INCLUYE, SIN LIMITACIÓN, DAÑOS INCIDENTALES O INDIRECTOS POR PÉRDIDA DE GANANCIAS, DE VENTAS, LESIONES PERSONALES O MATERIALES, O CUALQUIER OTRO DAÑO INCIDENTAL O INDIRECTO) QUE RESULTARA DEL USO O INCAPACIDAD DE USAR EL PRODUCTO, Y EL USUARIO ACUERDA QUE NO HAY NINGÚN OTRO RECURSO. Antes de usarlo, el usuario deberá determinar la idoneidad del producto para el uso propuesto y asumirá todos los riesgos y toda la responsabilidad que ello implique. LA GARANTÍA Y RECURSO DESCRITOS EN ESTA GARANTÍA LIMITADA REPRESENTAN UNA GARANTÍA Y RECURSO EXCLUSIVOS Y SE OFRECEN EN LUGAR DE CUALQUIER OTRA GARANTÍA O RECURSO, EXPLÍCITO O IMPLÍCITO. POR EL PRESENTE, SE EXCLUYEN EXPLÍCITAMENTE OTRAS GARANTÍAS Y RECURSOS, INCLUSO, PERO SIN LIMITARSE A CUALQUIER GARANTÍA IMPLÍCITA DE COMERCIALIZACIÓN O IDONEIDAD PARA UN PROPÓSITO ESPECÍFICO. EN LA MEDIDA EN QUE CORRESPONDA A UN PRODUCTO, LA GARANTÍA ESTARÁ LIMITADA EN DURACIÓN A LOS PERÍODOS DE LAS GARANTÍAS EXPRESAS DESCRITAS ANTERIORMENTE. Algunos estados y países no permiten la exclusión o las limitaciones sobre la duración de las garantías implícitas ni la exclusión o limitación de responsabilidades por daños incidentales o indirectos, por lo que puede que las exclusiones o limitaciones anteriores no correspondan en su caso particular. Esta garantía le otorga a usted derechos legales específicos y es posible que usted también tenga otros derechos que varían según el estado o país.

**Servicio al Cliente:**  
1-888-956-0000

**Estados Unidos:**  
301 N. MacArthur Blvd.  
Oklahoma City, OK 73127

**Canadá:**  
#101, 310 De Baets Street  
Winnipeg, Manitoba  
Canada R2J 0H4

[www.redlionproducts.com](http://www.redlionproducts.com)  
customerservice@lgpc.com