



P. O. Box 12010
Oklahoma City, OK 73157-2010
888.956.0000 • Fax: 405.228.1561
www.RedLionProducts.com

RL-SPS33 Wastewater Removal System with RL-SP33V Pump

ELECTRICAL CONNECTIONS



All wiring must meet local codes, and a licensed electrical contractor is recommended. The pump is supplied with a 3-prong vented plug. Plugs must be plugged into a grounded receptacle and vent tube must remain unobstructed for proper pump operation. Pump should be on a separate circuit with fuse or circuit breaker and ground fault circuit interrupter (GFCI). Be sure electrical supply matches pump nameplate data. Do not use extension cord. If installed in basement, plug connection should be 4' or more above floor, especially if basement floods. Be sure electrical connections cannot be reached by rising water. Under no circumstances should outlet box or receptacle be located where it may become flooded or submerged by water.

INSTALLATION

All plumbing must meet local codes. A licensed plumbing contractor is recommended. All fixtures connected to the SPXS33 Basin Kit must be vented according to state and local codes.

1. Assemble basin/pump.
2. **Determine proper location for unit.** Locate unit so that inlet is gravity-fed. Unit will not draw water up from a lower level. Position and level basin. Keep basin away from any item that could puncture basin. Position selected should be convenient to inlet, discharge, and vent piping, and electrical supply.
3. **Plumb inlet.** Using 1-1/2" threaded pipe, plumb inlet to basin cover fitting. Use a P-trap and a union next to the basin. Use PTFE tape and hand tighten only on plastic fittings. Do not reduce below 1-1/2" piping.
4. **Plumb discharge.** Using 1-1/2" threaded pipe, plumb discharge to basin cover fitting. Use a swing check valve no more than 3" from top of basin cover and a union.
Be sure discharge piping is sealed with PTFE tape and that lift height of pump is not exceeded.
5. **Plumb vent.** Plumb vent using 2" threaded pipe to fitting in basin cover. Use pipe joint compound on threads and hand tighten only on plastic fittings. The basin must be vented in accordance with state and local codes. The vent is essential for proper switch operation and must not be omitted or restricted.
6. **Test unit.** Connect power cord to electrical supply as stated in ELECTRICAL CONNECTIONS section. Secure power cord to piping with ties or tape. Fill unit with water through inlet. Pump should turn on with 7"-10" of water in tank, and turn off when 1"-3" of water is left in tank.

MAINTENANCE

WARNING: Before performing any maintenance, shut off water inlet and disconnect power cord from supply outlet. Pump may become hot during operation. Allow pump to cool before servicing.

Basin Screen: Remove 4 1/4-20 screen cover plate screws, plastic cover plate, seal ring, and screen. Clean inlet screen using a mild detergent and water. Examine O-ring and if deformed, replace with new O-ring. See replacement parts table.

Basin: Sediment may build up in basin causing pump to operate improperly. Remove 10 1/4-20 screws from cover. Remove cord grommet and loosen cords to allow slack and then remove cover.

Remove pump and clean basin using a mild detergent and water. Reassemble in reverse order. Torque screws 18-20 in.-lbs.

If pump alignment plate is removed, it must be reinstalled per pump alignment diagram.

Pump: Sediment or lint can clog pump and cause improper operation. If necessary, remove pump and clean inlet screen, using a mild detergent and water and reinstall. Plastic pump base may also be removed to clean around impeller and inside base. Remove the six base screws and clean base using a mild detergent and water. Do not remove impeller. When reinstalling base, be sure seal ring is seated properly in groove and torque screws to 10-15 in.-lbs. See pump manual for other information. For any other pump repair, return the pump to a Little Giant authorized service center.

ENGLISH

This instruction sheet provides you with the information required to safely own and operate your product. Retain these instructions for future reference.

The product you have purchased is of the highest quality workmanship and material, and has been engineered to give you long and reliable service. This product has been carefully tested, inspected, and packaged to ensure safe delivery and operation. Please examine your item(s) carefully to ensure that no damage occurred during shipment. If damage has occurred, please contact the place of purchase. They will assist you in replacement or repair, if required.

READ THESE INSTRUCTIONS CAREFULLY BEFORE ATTEMPTING TO INSTALL, OPERATE, OR SERVICE YOUR PRODUCT. KNOW THE PRODUCT'S APPLICATION, LIMITATIONS, AND POTENTIAL HAZARDS. PROTECT YOURSELF AND OTHERS BY OBSERVING ALL SAFETY INFORMATION. FAILURE TO COMPLY WITH THESE INSTRUCTIONS COULD RESULT IN PERSONAL INJURY AND/OR PROPERTY DAMAGE!

DESCRIPTION

This unit is designed to pump wastewater from laundry trays, washing machines, sinks, or dehumidifiers. It is not designed to pump raw sewage, fluids other than water, or fluids with solids. Inlet screen will remove many solids over 1/8" diameter, but large amounts of solids can clog screen and result in pump failure. Maximum fluid temperature is 125°F. Unit is designed to fit under most sinks, so in many cases it is not necessary to recess the unit into the floor.

ITEMS TO PURCHASE

NOTE: Some state or local codes require all electrical and/or plumbing connections to be made by a licensed contractor. It is the customer's responsibility to determine codes involved and to comply with these codes. If user can install unit, items to purchase are:

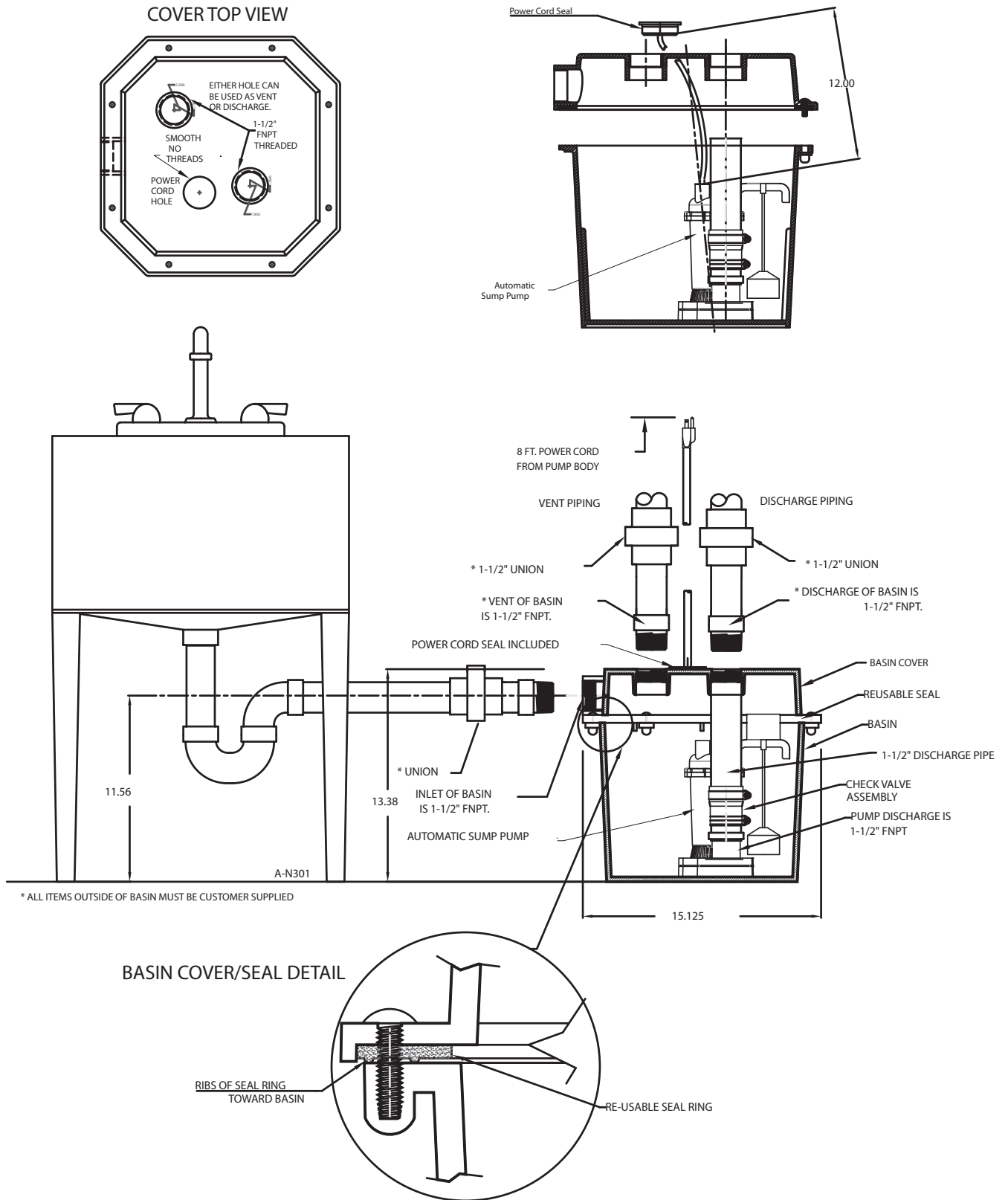
1. Inlet piping, trap and union. (Basin cover has 1-1/2" FNPT fitting.)
2. Discharge piping with union. (Basin cover has 1-1/2" FNPT fitting.)
3. Vent piping with union. (Basin cover has 1-1/2" FNPT fitting.)

SAFETY GUIDELINES



1. **CAUTION:** To reduce the risk of electric shock, pull plug before servicing this pump.
2. Read all instructions and safety guidelines thoroughly. Failure to follow the guidelines and the instructions could result in serious bodily injury and/or property damage.
3. Check local electrical and building codes before installation. The installation must be in accordance with these regulations.
4. During normal operation the pump is immersed in water. Use caution to prevent bodily injury when working near the pump:
 - a. Remove plug from the receptacle prior to touching, servicing, or repairing the pump.
 - b. To minimize possible fatal electrical shock hazard, use extreme care when changing fuses. Do not stand in water while changing fuses or insert your finger into fuse socket.

FIGURE 1 - TYPICAL INSTALLATION



LIMITED WARRANTY

For warranty consideration, the Red Lion brand (hereafter "the Brand") warrants that the products specified in this warranty are free from defects in material or workmanship of the Brand. During the time periods and subject to the terms and conditions hereinafter set forth, the Brand will repair or replace to the original user or consumer any portion of this product which proves defective due to materials or workmanship of the Brand. At all times the Brand shall have and possess the sole right and option to determine whether to repair or replace defective equipment, parts, or components. The Brand has the option to inspect any product returned under warranty to confirm that the warranty applies before repair or replacement under warranty is approved. This warranty sets forth the Brand's sole obligation and purchaser's exclusive remedy for defective product. Return defective product to the place of purchase for warranty consideration.

WARRANTY PERIOD - 24 months from date of purchase by the user. (No warranty on brushes, impeller or cam on models with brush-type motors and/or flex-vane impellers.) In the absence of suitable proof of the purchase date, the effective period of this warranty will begin on the product's date of manufacture.

LABOR, ETC. COSTS: The Brand shall IN NO EVENT be responsible or liable for the cost of field labor or other charges incurred by any customer in removing and/or affixing any product, part, or component thereof.

PRODUCT IMPROVEMENTS: The Brand reserves the right to change or improve its products or any portions thereof without being obligated to provide such a change or improvement for units sold and/or shipped prior to such change or improvement.

GENERAL TERMS AND CONDITIONS: This warranty shall not apply to damage due to acts of God, normal wear and tear, normal maintenance services and the parts used in connection with such service, lightning or conditions beyond the control of the Brand, nor shall it apply to products which, in the sole judgment of the Brand, have been subject to negligence, abuse, accident, misapplication, tampering, alteration; nor due to improper installation, operation, maintenance or storage; nor to excess of recommended maximums as set forth in the instructions.

Warranty will be VOID if any of the following conditions are found:

1. Product is used for purposes other than those for which it was designed and manufactured
2. Product not installed in accordance with applicable codes, ordinances, and good trade practices
3. Product connected to voltage other than indicated on nameplate
4. Pump used to circulate anything other than fresh water at approximately room temperature
5. Pump allowed to operate dry (fluid supply cut off)
6. Sealed motor housing opened or product dismantled by customer
7. Cord cut off to a length less than three feet

DISCLAIMER: Any oral statements about the product made by the seller, the Brand, the representatives, or any other parties do not constitute warranties, shall not be relied upon by the user, and are not part of the contract for sale. Seller's and the Brand's only obligation, and buyer's only remedy, shall be the replacement and/or repair by the Brand of the product as described above. NEITHER SELLER NOR THE BRAND SHALL BE LIABLE FOR ANY INJURY, LOSS OR DAMAGE, DIRECT, INCIDENTAL OR CONSEQUENTIAL (INCLUDING, BUT NOT LIMITED TO, INCIDENTAL OR CONSEQUENTIAL DAMAGES FOR LOST PROFITS, LOST SALES, INJURY TO PERSON OR PROPERTY, OR ANY OTHER INCIDENTAL OR CONSEQUENTIAL LOSS), ARISING OUT OF THE USE OR THE INABILITY TO USE THE PRODUCT, AND THE USER AGREES THAT NO OTHER REMEDY SHALL BE AVAILABLE TO IT. Before using, the user shall determine the suitability of the product for his intended use, and user assumes all risk and liability whatsoever in connection therewith. **THE WARRANTY AND REMEDY DESCRIBED IN THIS LIMITED WARRANTY IS AN EXCLUSIVE WARRANTY AND REMEDY AND IS IN LIEU OF ANY OTHER WARRANTY OR REMEDY, EXPRESSED OR IMPLIED, WHICH OTHER WARRANTIES AND REMEDIES ARE HEREBY EXPRESSLY EXCLUDED, INCLUDING BUT NOT LIMITED TO ANY IMPLIED WARRANTY OF MERCHANTABILITY OR FITNESS FOR A PARTICULAR PURPOSE, TO THE EXTENT EITHER APPLIES TO A PRODUCT SHALL BE LIMITED IN DURATION TO THE PERIODS OF THE EXPRESSED WARRANTIES GIVEN ABOVE.** Some states and countries do not allow the exclusion or limitations on how long an implied warranty lasts or the exclusion or limitation of incidental or consequential damages, so the above exclusion or limitations may not apply to you. This warranty gives you specific legal rights, and you may also have other rights which vary from state to state and country to country.

**For technical assistance, parts, or repair,
please contact 1.888.956.0000**

**Pour l'aide technique, des parties ou la réparation,
entrez s'il vous plaît en contact 1.888.956.0000**

**Para la ayuda técnica, partes o la reparación,
por favor póngase en contacto 1.888.956.0000**

www.RedLionProducts.com
