



# RLHE

## Lawn and Turf Pumps

Electric Motor Driven

**SAFETY WARNINGS**



**BEFORE OPERATING OR INSTALLING THIS PUMP, READ THIS MANUAL AND FOLLOW ALL SAFETY RULES AND OPERATING INSTRUCTIONS.**

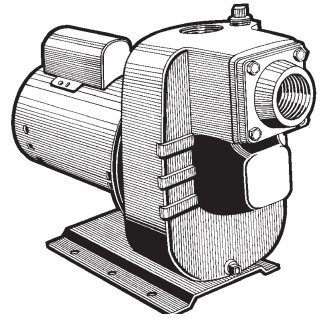
**SAFETY** CAREFULLY READ THESE SAFETY MESSAGES IN THIS MANUAL AND ON PUMP.

**CAUTION**

- DO NOT OPERATE THIS PUMP DRY!**
- Review instructions before operating.

**WARNING - ELECTRICAL PRECAUTIONS**

All wiring, electrical connections, and system grounding must comply with the National Electrical Code (NEC) and with any local codes and ordinances. Employ a licensed electrician. For non-thermally protected motors use with approved motor control that matches motor input in full load amperes with overload element(s) selected or adjusted in accordance with control instructions.



**FOR DUAL VOLTAGE MOTORS:** Voltage change instructions are located on motor label or on wiring access cover.

- WARNING - RISK OF ELECTRICAL SHOCK**
- Have an electrician provide electrical power to the motor.
  - Motor must be grounded and terminal cover in place to reduce electrical shock hazard.
  - Keep motor operating area as dry as possible.
  - A ground fault interrupter (GFI) protected circuit is recommended for use with any electrical device operating near water.
  - Always disconnect power before servicing.
  - Not investigated for use in swimming pool areas.

### APPLICATION

This pump is suitable for installations where the vertical distance from the pump to the water level does not exceed 25 ft. In all installations, friction losses in the suction pipe must be taken into consideration.

### PERFORMANCE

Model No.	HP	Discharge Pressure in PSI at 5 ft. Lift							Max. PSI
		10	20	30	40	45	50	55	
RLHE-300	3	Capacities in U.S. GPM							59
		124	110	95	77	67	54	36	

### INSTALLATION

**PUMP LOCATION:** The pump should be installed in a clean, dry and ventilated location which provides adequate drainage and room for servicing and protection from freezing temperatures. It should be bolted down evenly on a good foundation, preferably concrete, to prevent the development of unnecessary stress. Locating the pump as close as possible to the source of water supply reduces the friction losses in the suction pipe and provides for maximum capacities.

**SUCTION PIPE:** It is recommended that only new clean pipe or hose be used and the size be the same as that of the pump suction tapping. If the pump is installed any appreciable distance away from the source of water supply, the suction pipe should be increased by one size. The suction pipe must always slope upwards from the water source to the pump to avoid air pockets in the line. In cases where the pump has to be reprimed often and it is not necessary that a lot of water be delivered, it is advisable to use a 90° or 45° elbow on the suction line. This enables the pump to prime sooner and also prevents kinking of the hose. In cases where a maximum volume of water is required over a prolonged period of time, the suction line should be led almost horizontally to the pump.

Non-toxic thread compound should be used on all pipe joints and connections should be thoroughly tightened. A strainer should be connected to the bottom end of the suction pipe and it should be well submerged at all times.

**WARNING - RISK OF ELECTRICAL SHOCK**

- WIRING:** Make sure the voltage and frequency of the power supply agrees with that stamped on the motor nameplate. If in doubt, check with the power company.

**WARNING - ELECTRICAL PRECAUTIONS**

All wiring, electrical connections, and system grounding must comply with the National Electrical Code (NEC) and with any local codes and ordinances. Employ a licensed electrician.

**SINGLE PHASE:** Determine incoming voltage to motor. Where possible, use 230V. Connect wiring to terminal board located inside motor end cover. Be sure voltage connections agree with wiring diagram on motor nameplate.

**THREE PHASE:** Three Phase motors require magnetic starters, and can run in either direction, depending on how they are connected to the power supply.



**To Check for Proper Rotation:** Remove the motor end cover. This exposes the motor shaft. If hookup is correct, the shaft will rotate clockwise. If rotation is not clockwise, reverse any two leads to the starter. The rotation will now be correct.

**⚠ WARNING - RISK OF ELECTRICAL SHOCK**  
**GROUNDING THE MOTOR: WIRING TO THIS PUMP MUST BE INSTALLED AND MAINTAINED IN ACCORDANCE WITH THE NATIONAL ELECTRICAL CODE OR YOUR LOCAL**

**ELECTRIC CODE. IF MORE INFORMATION IS NEEDED, CALL YOUR LOCAL LICENSED ELECTRICIAN OR YOUR POWER COMPANY.**

It is recommended that a permanent ground connection be made to the unit using a conductor of appropriate size from a metal underground water pipe or a grounded lead in the service panel. Do not ground to a gas supply line. Do not connect to electric power supply until unit is permanently grounded. Connect the ground wire to the approved ground and then connect to the terminal provided.

## OPERATION - PRIMING THE PUMP

**⚠ WARNING: DO NOT RUN THE PUMP BEFORE PRIMING IT, SINCE THE SEAL AND IMPELLER COULD BE PERMANENTLY DAMAGED.**

**PRIMING THE PUMP:** A priming plug is provided in the top of the casing to fill the pump with water. Once filled and the priming plug replaced, the pump will prime. The priming time depends upon the vertical and horizontal distance between the pump and the water level.

**⚠ CAUTION: DO NOT** run the pump before filling the pump case with liquid, as it may damage the seal.

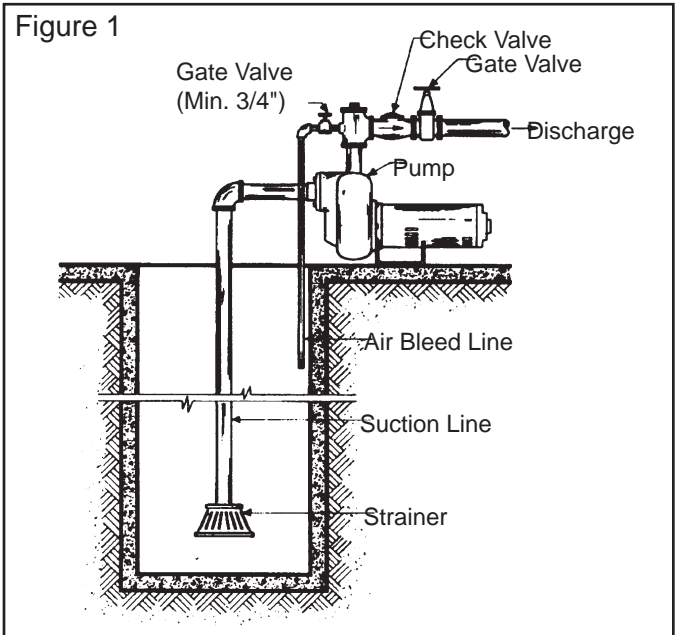
**PRIMING UNDER PRESSURE:** (Refer to Figure 1) Should it be necessary to prime under pressure, place a check valve on the discharge line of the pump and a pet cock or a ball type air bleeder in place of the priming plug, or an air bleed line with a gate valve connected to the discharge line. It will then be possible for the liquid to remain in the discharge pipe and allow the pump to bleed off the remaining air, thereby facilitating priming.

**IMPELLER ROTATION:** The impeller must rotate in a counter-clockwise direction as seen facing the pump from the front of the casing. In the event of wrong rotation for electric motor models, refer to the instructions furnished with the motor. The rotation of three phase motors can be changed by interchanging any two lead wires.

**STARTING THE PUMP:** Never operate the pump dry as this may damage the seal. If an exceptionally long suction line is used, the water in the pump casing may become overheated or vapour locked. Should this occur, replace the water in the casing with cold water and continue priming.

**DRAINING:** Should the pump be subject to freezing temperatures, it will be necessary to drain the pump completely. To drain, remove the drain plug located at the bottom of the front face of the pump casing and the priming plug and make sure that the drain hole is not restricted. After all the water has been drained, operating the pump for a few seconds will ensure that the impeller is devoid

of water (make sure that the suction line is also devoid of water).  
**STORAGE OF PUMP:** Drain liquid from pump to prevent freezing. It is recommended that a good rust inhibitor be put in the liquid end to prevent excessive corrosion. Be sure motor is kept dry and covered. When restoring the use of the pump, replace all plugs and make sure all connections are tightly sealed. After a complete check is made, make the initial prime according to directions under the section, Priming the Pump.



## MAINTENANCE

**⚠ WARNING - ELECTRICAL PRECAUTIONS**

All wiring, electrical connections, and system grounding must comply with the National Electrical Code (NEC) and with any local codes and ordinances. Employ a licensed electrician.

**⚠ WARNING - RISK OF ELECTRICAL SHOCK**

- Have an electrician provide electrical power to the motor.
- Motor must be grounded and terminal cover in place to reduce electrical shock hazard.
- Keep motor operating area as dry as possible.
- A ground fault interrupter (GFI) protected circuit is recommended for use with any electrical device operating near water.
- Always disconnect power before servicing.
- Not investigated for use in swimming pool areas.

**LUBRICATION:**

- a) The pump requires no lubrication.
- b) For electric motor models, refer to instructions provided by the motor manufacturer.

**Disassembly** (Refer to Figure 2):

- 1) Shut off the power to the pump at the main service panel and disconnect the power supply from motor.
- 2) Open a tap in the water system to release the pressure.
- 3) Remove the drain and fill plugs to allow the pump to drain.
- 4) Remove the four bolts (11) and remove casing (1).
- 5) Remove three screws to separate diffuser (3) from motor adapter (2).
- 6) Remove cap (5) and insert a screwdriver to prevent the shaft from turning while unscrewing the impeller (4).

For Larger size motors remove rear cover and hold the shaft using a flat wrench inserted from the side, through the opening in the end housing. Impeller has right-hand thread. If impeller cannot be turned by hand, insert a flat object into the impeller vane.

- 7) Slip the rotating seal (13) off the impeller hub.
- 8) To replace seal seat (13A); remove bolts (10) to separate the motor (9) from the motor adapter (2). Push seal seat (13A) out of motor adapter (2) from motor side.

**Reassembly:**

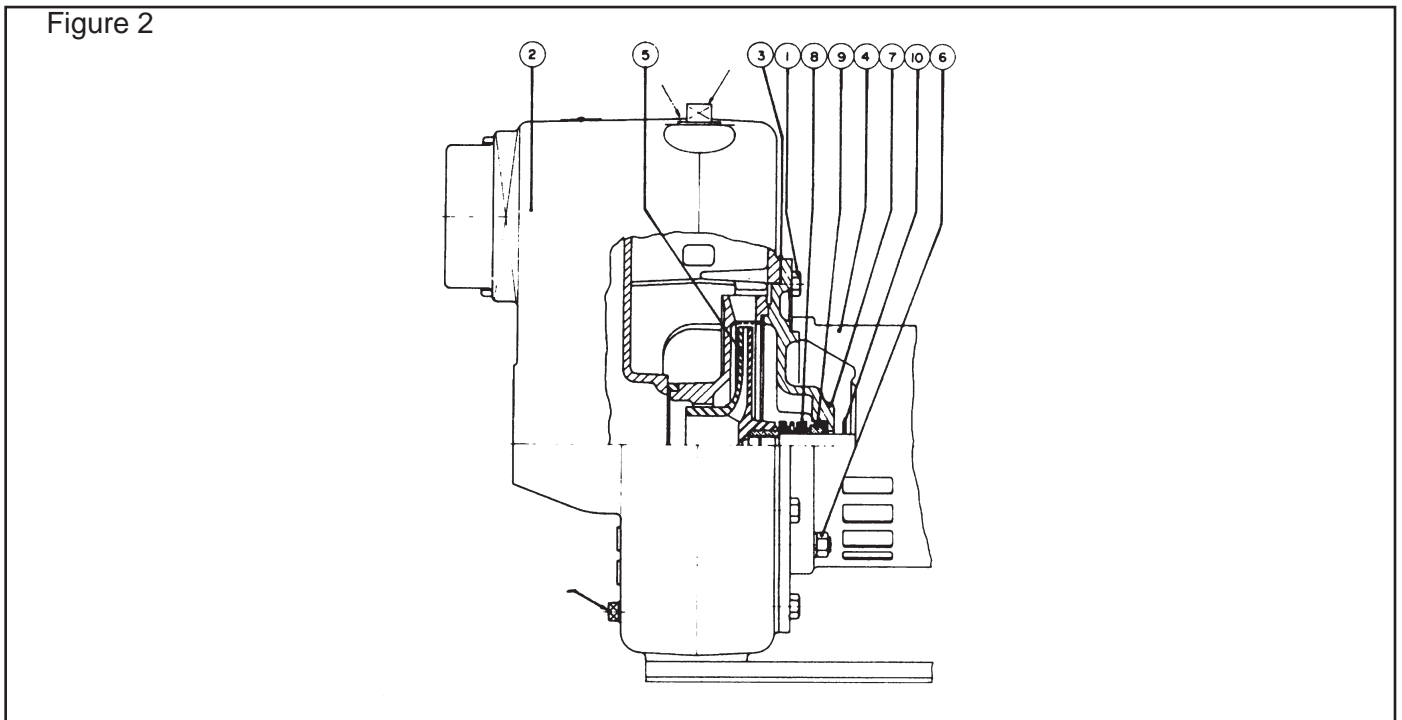
- 1) Clean all the parts thoroughly before assembling.
- 2) Lightly lubricate (soapy water) the rubber cap on the ceramic seal (13A) and push it into the adapter using thumbs only. Make sure the smooth surface of the ceramic seat faces outwards.


**NOTE:** If the pump will remain out of service for longer than one week, the seal components must be installed dry (no lubrication).

- 3) Put the adapter back on the motor.
- 4) Lubricate the rotating seal (13)(soapy water) and slip it onto the impeller hub with the 'carbon' ring towards the ceramic seat.
- 5) Replace the impeller (4) and the diffuser (3).
- 6) Replace the casing (1) making sure that the gasket is not damaged and is in place.
- 7) Reconnect the tubes to the casing and to the pressure switch.
- 8) Reconnect the power.
- 9) Prime pump, start, check for leaks.

**PRECAUTIONS**

- a) Whenever pump is dismantled and then reassembled, always check to see that the impeller rotates freely within the diffuser.



TROUBLESHOOTING GUIDE		
Trouble	Cause	Remedy
Failure To Pump	1) Pump not properly primed.	1) Make sure pump casing and suction line are full of water. See priming instructions.
	2) Speed too low.	 2) <b>WARNING - ELECTRICAL PRECAUTIONS</b> All wiring, electrical connections and system grounding must comply with the National Electrical Code (NEC) and with any local codes and ordinances. Employ a licensed electrician. Check voltage at motor terminals and at meter when pump is operating. If low, refer to wiring instructions or check with your power company. Check loose connections.
	3) Total head more than for which pump was intended.	3) A pump designed for higher head needed.
	4) Suction lift is too great.	4) Locate pump closer to source of water. Make sure suction piping is large enough.

## TROUBLESHOOTING GUIDE (cont.)

Trouble	Cause	Remedy
<b>Reduced Capacity and/or Head</b>	1) Air pockets or leaks in suction line.	1) Check suction piping.
	2) Clogged impeller.	2) Remove and clean.
	3) Strainer too small or clogged.	3) Use larger strainer or clean
	4) Insufficient submergence of suction line.	4) Add lengths of suction pipe to keep submerged end well below the water surface.
	5) Excessive suction lift.	5) If caused by suction pipe friction, enlarge piping. Otherwise, move pump closer to water level.
	6) Total head more than that for which the pump was intended.	6) A pump designed for higher head is needed.
	7) Excessively worn impeller.	7) Order replacement parts using Repair Parts List.
<b>Pump Loses Prime</b>	1) Air leaks in suction line.	1) Check suction piping.
	2) Excessive lift and operating too near shut-off point.	2) Move pump nearer water level.
	3) Water level drops while pumping, uncovering suction piping.	3) Check water supply. Add length of pipe to suction to keep submerged end under water.
<b>Mechanical Troubles and Noise</b>	1) Bent shaft and/or damaged bearings.	1) Take motor to authorized motor repair shop.
	2) Suction and/or discharge piping not properly supported and anchored.	2) See that all piping is supported to relieve strain on pump assembly.

### LIMITED WARRANTY

For warranty consideration, Franklin Electric Company, Inc. and its subsidiaries (hereafter "the Company") warrants that the products specified in this warranty are free from defects in material or workmanship of the Company. During the time periods and subject to the terms and conditions hereinafter set forth, the Company will repair or replace to the original user or consumer any portion of this product which proves defective due to materials or workmanship of the Company. At all times the Company shall have and possess the sole right and option to determine whether to repair or replace defective equipment, parts, or components. The Company has the option to inspect any product returned under warranty to confirm that the warranty applies before repair or replacement under warranty is approved. This warranty sets forth the Company's sole obligation and purchaser's exclusive remedy for defective product. Return defective product to the place of purchase for warranty consideration.

**WARRANTY PERIOD - PRODUCTS:** 12 months from date of purchase by the user (No warranty on brushes, impeller or cam on models with brush-type motors and/or flex-vane impellers). In the absence of suitable proof of the purchase date, the effective period of this warranty will begin on the product's date of manufacture.

**LABOR, ETC. COSTS:** The Company shall IN NO EVENT be responsible or liable for the cost of field labor or other charges incurred by any customer in removing and/or affixing any product, part or component thereof.

**PRODUCT IMPROVEMENTS:** The Company reserves the right to change or improve its products or any portions thereof without being obligated to provide such a change or improvement for units sold and/or shipped prior to such change or improvement.

**GENERAL TERMS AND CONDITIONS:** This warranty shall not apply to damage due to acts of God, normal wear and tear, normal maintenance services and the parts used in connection with such service, lightning or conditions beyond the control of the Company, nor shall it apply to products which, in the sole judgment of the Company, have been subject to negligence, abuse, accident, misapplication, tampering, alteration; nor due to improper installation, operation, maintenance or storage; nor to excess of recommended maximums as set forth in the instructions.

Warranty will be VOID if any of the following conditions are found:

1. Product is used for purposes other than those for which it was designed and manufactured
2. Product not installed in accordance with applicable codes, ordinances and good trade practices
3. Product connected to voltage other than indicated on nameplate
4. Pump used to circulate anything other than fresh water at approximately room temperature
5. Pump allowed to operate dry (fluid supply cut off)
6. Sealed motor housing opened or product dismantled by customer
7. Cord cut off to a length less than three feet

**DISCLAIMER:** Any oral statements about the product made by the seller, the Company, the representatives or any other parties, do not constitute warranties, shall not be relied upon by the user, and are not part of the contract for sale. Seller's and the Company's only obligation, and buyer's only remedy, shall be the replacement and/or repair by the Company of the product as described above. NEITHER SELLER NOR THE COMPANY SHALL BE LIABLE FOR ANY INJURY, LOSS OR DAMAGE, DIRECT, INCIDENTAL OR CONSEQUENTIAL (INCLUDING, BUT NOT LIMITED TO, INCIDENTAL OR CONSEQUENTIAL DAMAGES FOR LOST PROFITS, LOST SALES, INJURY TO PERSON OR PROPERTY, OR ANY OTHER INCIDENTAL OR CONSEQUENTIAL LOSS), ARISING OUT OF THE USE OR THE INABILITY TO USE THE PRODUCT, AND THE USER AGREES THAT NO OTHER REMEDY SHALL BE AVAILABLE TO IT. Before using, the user shall determine the suitability of the product for his intended use, and user assumes all risk and liability whatsoever in connection therewith. THE WARRANTY AND REMEDY DESCRIBED IN THIS LIMITED WARRANTY IS AN EXCLUSIVE WARRANTY AND REMEDY AND IS IN LIEU OF ANY OTHER WARRANTY OR REMEDY, EXPRESSED OR IMPLIED, WHICH OTHER WARRANTIES AND REMEDIES ARE HEREBY EXPRESSLY EXCLUDED, INCLUDING BUT NOT LIMITED TO ANY IMPLIED WARRANTY OF MERCHANTABILITY OR FITNESS FOR A PARTICULAR PURPOSE, TO THE EXTENT EITHER APPLIES TO A PRODUCT SHALL BE LIMITED IN DURATION TO THE PERIODS OF THE EXPRESSED WARRANTIES GIVEN ABOVE. Some states and countries do not allow the exclusion or limitations on how long an implied warranty lasts or the exclusion or limitation of incidental or consequential damages, so the above exclusion or limitations may not apply to you. This warranty gives you specific legal rights, and you may also have other rights which vary from state to state and country to country.

**Toll Free Help Hotline:  
1-800-667-1457**

RED LION  
51 Burmac Road, P.O. Box 429  
Winnipeg, Manitoba, Canada  
R3C 3E4

Phone: (877) 337-2650  
Fax: (204) 255-5214  
[www.redlionproducts.com](http://www.redlionproducts.com)

**RED LION**



# RLHE

## Pompe pour Gazon et Pelouse

Actionnée par Moteur Électrique

### ⚠️ CONSIGNES DE SÉCURITÉ



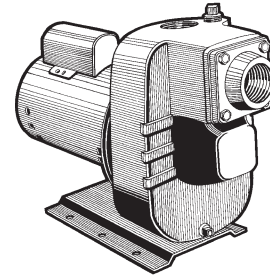
**AVANT D'INSTALLER OU D'UTILISER CETTE POMPE, PRIÈRE DE LIRE LE PRÉSENT GUIDE ET SUIVRE TOUTES LES RÈGLES DE SÉCURITÉ ET INSTRUCTIONS D'UTILISATION.**

**⚠️ SÉCURITÉ** LIRE ATTENTIVEMENT LES AVIS DE SÉCURITÉ SE TROUVANT DANS LE PRÉSENT MANUEL ET SUR LA POMPE.

**⚠️ CAUTION**

- NE PAS FAIRE FONCTIONNER CETTE POMPE À SEC!
- Passez les instructions en revue avant d'utiliser la pompe.

**⚠️ MISE EN GARDE**  
**- PRÉCAUTIONS ÉLECTRIQUES**  
 Tous câblage, connexions électriques et mise à la terre des systèmes doivent se conformer au Code National d'Électricité (NEC) et aux codes et ordonnances locaux. Employez un électricien autorisé. Pour les moteurs sans protection thermique, utiliser un démarreur approuvé convenant au courant à pleine charge du moteur et dont les éléments thermiques sont réglés ou choisis conformément aux instructions qui l'accompagnent.



**⚠️ POUR LES MOTEURS BI-TENSION:**  
 Les instructions pour changer la tension sont sur l'étiquette du moteur ou sur le couvercle d'accès aux fils électriques.

**⚠️ MISE EN GARDE**  
**- RISQUE DE CHOC ÉLECTRIQUE**

- Faire appel à un électricien pour l'alimentation électrique du moteur.
- Le moteur doit être mis à la terre et le couvercle des bornes correctement installé afin de réduire les risques d'électrocution.
- Garder la zone de travail aussi sèche que possible.
- L'usage d'un circuit protégé par interrupteur de défaut à la terre (GFI) est recommandé avec tout appareil électrique fonctionnant dans l'eau ou à proximité de celle-ci.
- Toujours couper l'alimentation avant de procéder à l'entretien.
- Cette pompe n'est pas conçue pour être utilisée dans la région d'une piscine.

### UTILISATION

Cette pompe convient aux installations dont la distance verticale entre la pompe et l'eau à pomper ne dépasse pas 25 pieds.

Dans tous les cas, il faut tenir compte des pertes de charge dans la conduite d'aspiration.

### RENDEMENT

Model No.	HP	Discharge Pressure in PSI at 5 ft. Lift							Max. PSI
		10	20	30	40	45	50	55	
RLHE-300	3	Capacities in U.S. GPM							59
		124	110	95	77	67	54	36	

### INSTALLATION

**EMPLACEMENT DE LA POMPE :** Il est conseillé d'installer la pompe dans un endroit propre, sec et aéré offrant un bon drainage, de l'espace pour l'entretien et une protection contre le gel. Il faudrait la boulonner bien à plat à une assise solide, de préférence en béton, afin de prévenir les contraintes inutiles. Pour réduire les pertes de charge dans la conduite d'aspiration et obtenir le débit maximal, rapprocher le plus possible la pompe de l'eau à pomper.

**CONDUITE D'ASPIRATION :** Il est recommandé d'utiliser un tuyau ou un boyau neuf et propre dont le diamètre est égal au taraudage de l'orifice d'aspiration. Si la pompe se trouve à une distance assez importante de la source d'alimentation en eau, le diamètre de la conduite d'aspiration devrait être plus grand. La conduite d'aspiration doit toujours être placée en pente ascendante à partir de la source d'eau vers la pompe, pour éviter la formation de poches d'air dans la conduite. Dans les cas où la pompe doit être réamorcée souvent et qu'un grand débit d'eau n'est pas

nécessaire, il est conseillé d'utiliser un coude de 90° ou de 45° dans la conduite d'aspiration. L'amorçage peut ainsi se faire plus rapidement et prévenir le tortillement du boyau. Si un volume d'eau important est requis pendant une période prolongée, la conduite d'aspiration devrait être aussi à l'horizontale que possible par rapport à la pompe. Il est également conseillé d'enduire les joints et les raccords de tuyau, d'une graisse pour filetage non toxique et de bien les serrer. L'extrémité inférieure de la conduite d'aspiration devrait être munie d'une crépine immergée en tout temps.

**⚠️ AVERTISSEMENT**  
**- RISQUE DE CHOC ÉLECTRIQUE**

- **CÂBLAGE :** S'assurer que le voltage et la fréquence de l'alimentation en électricité sont conformes aux instructions se trouvant sur la plaque du fabricant du moteur. Dans le doute, vérifier auprès de votre compagnie d'électricité.



## **⚠ AVERTISSEMENT**

### **- PRÉCAUTIONS RELATIVES À L'ÉLECTRICITÉ**

Le câblage, les connexions électriques et les mises à la terre des systèmes doivent être conformes au Code national de l'électricité (NEC) et aux ordonnances et codes locaux. Faire appel à un électricien autorisé.

**MOTEUR MONOPHASÉ :** Établir d'abord le voltage d'entrée au moteur. Si c'est possible, utiliser un courant de 230V. Brancher le câblage au panneau de raccordement situé sous le couvercle du moteur. S'assurer que les raccords de voltage sont les mêmes que ceux du schéma de montage figurant sur la plaque du fabricant du moteur.

**MOTEUR TRIPHASÉ :** Un moteur triphasé doit être muni d'un démarreur magnétique. La rotation de ce genre de moteur peut se faire dans les deux sens, selon le branchement de l'alimentation électrique. **Pour déterminer si le moteur tourne dans le bon sens**, enlever le couvercle du moteur. L'arbre du moteur est maintenant exposé. Si le branchement du moteur est bien effectué, l'arbre tournera dans le sens des aiguilles d'une montre. Si la rotation

de l'arbre est dans le sens contraire des aiguilles d'une montre, inverser deux des conducteurs de branchement du démarreur. Le moteur tournera alors dans le bon sens.

## **⚠ AVERTISSEMENT**

### **- RISQUE DE CHOC ÉLECTRIQUE**

**MISE À LA TERRE DU MOTEUR : LE CÂBLAGE DE CETTE POMPE DOIT ÊTRE INSTALLÉ ET ENTRETENU CONFORMÉMENT AU CODE NATIONAL DE L'ÉLECTRICITÉ OU AUX ORDONNANCES ET CODES D'ÉLECTRICITÉ LOCAUX. POUR DE PLUS AMPLES RENSEIGNEMENTS, CONSULTEZ UN ÉLECTRICIEN AUTORISÉ OU VOTRE PROPRE COMPAGNIE D'ÉLECTRICITÉ.**

Il est recommandé de munir l'unité d'une prise à la terre permanente, au moyen d'un conducteur de dimension appropriée, fixé à une conduite d'eau souterraine ou une conduite avec mise à la terre dans le panneau de service. Éviter de brancher l'unité à une source d'alimentation en gaz avant qu'elle soit correctement mise à la terre. Brancher le fil de masse à la mise à la terre approuvée, puis raccorder le fil à la borne accompagnant la pompe.

## **FONCTIONNEMENT - AMORÇAGE DE LA POMPE**

**⚠ AVERTISSEMENT : DE NE PAS FAIRE FONCTIONNER LA POMPE À SEC AVANT L'AMORÇAGE, SINON LE JOINT D'ÉTANCHÉITÉ ET LA ROUE DE TURBINE SERAIENT ENDOMMAGÉS DE FAÇON PERMANENTE.**

**AMORÇAGE DE LA POMPE :** Pour amorcer la pompe, il faut enlever le bouchon d'amorçage se trouvant sur le dessus du boîtier, remplir le boîtier d'eau et remettre le bouchon en place. La durée d'amorçage est fonction de la distance horizontale et verticale entre la pompe et le niveau de l'eau. La pompe devrait s'amorcer automatiquement à chaque utilisation, tant que le clapet de retenue intégré fonctionne.

**⚠ AVERTISSEMENT : NE JAMAIS faire démarrer la pompe à sec, car la garniture d'étanchéité pourrait s'endommager.**

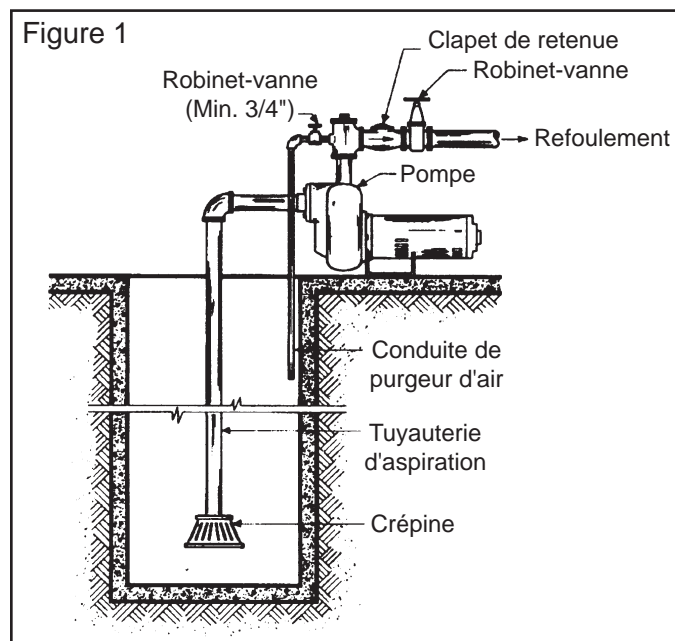
**AMORÇAGE SOUS PRESSION :** (Voir figure 1). S'il faut amorcer la pompe sous pression, placer un clapet de retenue sur la conduite de refoulement de la pompe et remplacer le bouchon d'amorçage par un robinet de purge d'air ordinaire ou sphérique, ou installer une conduite de purgeur d'air et un robinet-vanne sur la conduite de refoulement. Le liquide pourra alors demeurer dans la conduite de refoulement et l'action du robinet-vanne facilitera l'amorçage de la pompe.

**ROTATION DE LA ROUE DE TURBINE :** Vue de face, devant le boîtier, la rotation devrait se faire dans le sens contraire des aiguilles d'une montre. Si la rotation d'une pompe actionnée par un moteur électrique ne s'effectue pas dans le bon sens, consulter le mode d'emploi du moteur. Il est possible de modifier le sens de rotation d'un moteur triphasé en inversant deux fils conducteurs.

**MISE EN MARCHÉ :** Ne jamais faire fonctionner la pompe à sec, car la garniture d'étanchéité pourrait s'endommager. Si la conduite d'aspiration est très longue, l'eau contenue dans le boîtier peut surchauffer ou produire une cavitation. Le cas échéant, remplacer l'eau du boîtier par de l'eau froide et continuer l'amorçage.

**VIDANGE :** Si la pompe est exposée au gel, il faudra la vidanger complètement. Pour ce faire, enlever le bouchon de vidange situé dans la partie inférieure du devant du boîtier ainsi que le bouchon d'amorçage et s'assurer que l'orifice de vidange n'est pas obstrué. Dès que toute l'eau est évacuée, faire fonctionner la pompe pendant quelques secondes pour éliminer toute eau subsistante dans la roue (veiller également à l'évacuation de toute eau dans la conduite d'aspiration).

**ENTREPOSAGE DE LA POMPE :** Évacuer tout le liquide contenu dans la pompe afin de prévenir les bris causés par le gel. Il est recommandé d'appliquer un bon agent antirouille dans le boîtier afin d'empêcher la formation excessive de corrosion. S'assurer que le moteur est toujours au sec et couvert. Au moment de remettre la pompe en marche, remplacer tous les bouchons et vérifier l'étanchéité parfaite de tous les raccords. Après une vérification complète, amorcer la pompe en suivant les directives de la rubrique Amorçage.



## ⚠ MISE EN GARDE

### - PRÉCAUTIONS ÉLECTRIQUES

Tous câblage, connexions électriques et mise à la terre des systèmes doivent se conformer au Code National d'Electricité (NEC) et aux codes et ordonnances locaux. Employez un électricien autorisé.

## ⚠ MISE EN GARDE

### - RISQUE DE CHOC ÉLECTRIQUE

- Faire appel à un électricien pour l'alimentation électrique du moteur.
- Le moteur doit être mis à la terre et le couvercle des bornes correctement installé afin de réduire les risques d'électrocution.
- Garder la zone de travail aussi sèche que possible.
- L'usage d'un circuit protégé par interrupteur de défaut à la terre (GFI) est recommandé avec tout appareil électrique fonctionnant dans l'eau ou à proximité de celle-ci.
- Toujours couper l'alimentation avant de procéder à l'entretien.
- Cette pompe n'est pas conçue pour être utilisée dans la région d'une piscine.

#### LUBRIFICATION :

- a) Cette pompe n'exige aucune lubrification.
- b) Pour la lubrification du moteur électrique, consulter le mode d'emploi du fabricant.

### REPLACEMENT DE LA GARNITURE D'ÉTANCHÉITÉ MÉCANIQUE : Voir la figure 2

#### DÉMONTAGE :

Pour les modèles ayant jusqu'à 2,5 CV

(moteurs à bride carrée) :

- a) Dévisser les boulons (1) et retirer la plaque d'étanchéité et l'assemblage du moteur du boîtier (1).
- b) Enlever le diffuseur de l'aspiration (2) en le retirant de la plaque d'étanchéité.
- c) Dévisser la roue (5) dans le sens contraire des aiguilles d'une montre.
- d) Faire glisser la garniture d'étanchéité mécanique hors de l'arbre.
- e) Dans le cas de modèles de moteurs ayant jusqu'à 1,5 CV, dégager la plaque d'étanchéité du moteur. Pour les modèles de 2 et 2,5 CV, enlever les quatre écrous à tête hexagonale et retirer le moteur de la plaque d'étanchéité. Prendre bien soin de ne pas endommager l'embase de céramique.
- f) S'il faut remplacer l'embase (9), l'extraire de la plaque d'étanchéité du côté du moteur.

#### REMONTAGE :

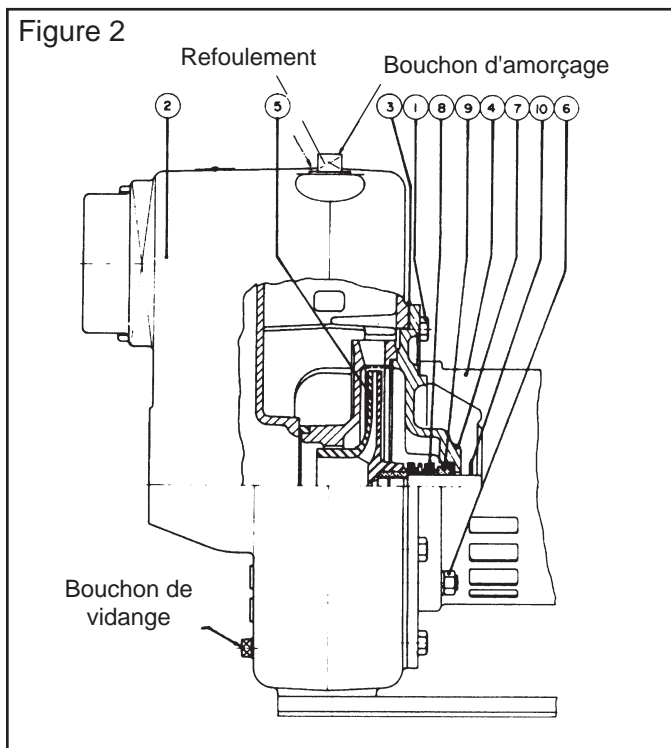
- a) Nettoyer toutes les pièces.
- b) Mouiller la partie en caoutchouc de l'embase de la garniture d'étanchéité avec du savon liquide et remettre la pièce dans

son logement dans la plaque d'étanchéité ou l'adaptateur (la surface lisse en céramique placée vers le haut).

- c) Remonter la plaque d'étanchéité ou l'adaptateur sur le moteur.
- d) Mouiller la bague en caoutchouc de la garniture d'étanchéité avec du savon liquide et la faire glisser sur l'arbre moteur. S'assurer que la surface d'étanchéité fait face à l'embase de céramique.
- e) Revisser la roue de turbine.
- f) Remonter le tout dans le boîtier et remettre en place l'anneau de retenue du diffuseur. Il est conseillé d'installer un nouveau joint d'étanchéité (3).
- g) Raccorder les canalisations d'aspiration et de refoulement et brancher de nouveau les fils électriques.

#### PRÉCAUTIONS

- a) Au moment de démonter et de remonter la pompe, il faut toujours vérifier si la roue tourne librement dans le boîtier.
- b) L'arbre des pompes de la série NSPHE est muni d'une bride (10) qu'il ne faut jamais enlever.



## GUIDE DE DÉPANNAGE

PROBLÈMES ET CAUSE PROBABLES	SOLUTIONS
<b>Aucun pompage :</b>	
La pompe n'est bien amorcée.	S'assurer que le boîtier et la conduite d'aspiration sont remplis d'eau. Suivre les directives d'amorçage.
Le régime est trop faible.	<b>⚠ AVERTISSEMENT -PRÉCAUTIONS RELATIVES À L'ÉLECTRICITÉ</b> Le câblage, les connexions électriques et les mises à la terre des systèmes doivent être conformes au Code national de l'électricité (NEC) et aux ordonnances et codes locaux. Consulter un électricien autorisé. Vérifier le voltage aux bornes du moteur et le voltmètre pendant le pompage. Si le voltage est trop faible, consulter les directives de montage électrique ou communiquer avec votre compagnie d'électricité. S'assurer que tous les raccords sont bien serrés.
La hauteur totale requise ne correspond pas aux caractéristiques de la pompe.	Pompe conçue pour une hauteur totale plus élevée.
La hauteur géométrique d'aspiration est trop élevée.	Rapprocher la pompe de la source d'alimentation en eau. S'assurer que les conduites d'aspiration sont de dimension adéquate.

## GUIDE DE DÉPANNAGE

PROBLÈMES ET CAUSE PROBABLES	SOLUTIONS
<b>Perte de débit et (ou) de charge :</b>	
Fuites ou poches d'air dans la conduite d'aspiration.	Inspecter les canalisations d'aspiration.
Obstruction de la roue de turbine.	Retirer et nettoyer la roue de turbine.
Crépine trop petite ou obstruée.	Installer une plus grande crépine ou nettoyer celle en place.
La conduite d'aspiration n'est pas bien immergée.	Rajouter des sections à la conduite d'aspiration afin d'en maintenir l'extrémité bien immergée.
La hauteur géométrique d'aspiration est trop élevée.	Si le problème est causé par un frottement à l'intérieur de la conduite d'aspiration, accroître le diamètre des canalisations. Sinon, rapprocher la pompe de l'eau à pomper.
La hauteur totale ne correspond pas aux caractéristiques de la pompe.	Il faut installer une pompe dont la hauteur totale est plus élevée.
La roue est trop usée.	Commander une nouvelle pièce. Consulter la liste des pièces de rechange.
<b>Perte d'amorçage :</b>	
Fuites d'air dans la conduite d'aspiration.	Inspecter les canalisations d'aspiration.
Hauteur géométrique d'aspiration trop élevée et trop rapprochée de la pression à débit nul.	Rapprocher la pompe du niveau de l'eau.
Le niveau d'eau baisse pendant le pompage et met la conduite d'aspiration à l'air libre.	Vérifier la source d'eau. Rajouter une section à la conduite d'aspiration afin d'en maintenir l'extrémité dans l'eau.
<b>Problèmes mécaniques et bruits :</b>	
Arbre voilé ou paliers endommagés ou les deux.	Faire vérifier le moteur dans un atelier de réparation reconnu.
Les canalisations d'aspiration ou de refoulement ne sont pas bien soutenues ou assujetties.	S'assurer que toutes les canalisations sont bien assujetties et n'exercent aucune contrainte sur l'installation de la pompe.

### GARANTIE LIMITÉE

Lors des requêtes en garantie, Franklin Electric Company, Inc. et ses filiales (ci-après appelée « l'Entreprise ») garantit les produits spécifiés dans cette garantie contre tout défaut de matériaux et de main-d'œuvre. Pendant les périodes couvertes par la garantie et selon les conditions indiquées dans la présente, l'Entreprise réparera ou remplacera toute partie de ce produit présentant une défaillance liée aux matériaux ou à la main-d'œuvre, et ce uniquement auprès du premier utilisateur ou acheteur. En tout temps, l'Entreprise conserve le droit et l'option de déterminer si un équipement, des pièces ou des composants défectueux doivent être réparés ou remplacés. L'Entreprise peut inspecter tout produit sous garantie qui lui est retourné afin de confirmer que la garantie s'applique, avant d'approuver la réparation ou le remplacement. Cette garantie stipule l'unique obligation de l'Entreprise et le recours exclusif de l'acheteur pour un produit défectueux. Retourner le produit défectueux au détaillant pour les requêtes en garantie.

**PÉRIODE DE GARANTIE – PRODUITS :** 12 mois à partir de la date d'achat par l'utilisateur. (Aucune garantie n'est offerte pour les balais, le rotor ou la came sur les modèles avec moteur à balais et/ou rotor flexible à palettes.) En l'absence d'une preuve adéquate de la date d'achat, la période d'application commencera à partir de la date de fabrication.

**COÛTS DE MAIN-D'ŒUVRE, ETC. :** EN AUCUN CAS l'Entreprise ne pourra être tenue responsable du coût de la main-d'œuvre ou d'autres frais encourus par un client lors de la dépose et/ou de la réparation d'un produit, d'une partie ou d'un composant.

**AMÉLIORATIONS DU PRODUIT :** L'Entreprise se réserve le droit de modifier ou d'améliorer ses produits, ou une quelconque de leur partie, sans obligation de fournir une telle modification ou amélioration aux appareils déjà vendus et/ou expédiés avant que de telles modifications ou améliorations n'aient été apportées.

**CONDITIONS ET MODALITÉS GÉNÉRALES :** Cette garantie ne couvre pas les dommages causés par une catastrophe naturelle, l'usure normale, la foudre ou des conditions hors du contrôle de l'Entreprise; et elle ne couvre pas non plus les services d'entretien normaux et aux pièces usées associés à un tel service, ni les produits qui, selon le jugement exclusif de l'Entreprise, ont été exposés à la négligence, l'abus, un accident, une application inappropriée, une altération, une modification; ni aux dommages causés par une installation, une utilisation, un entretien ou un entreposage inadéquat; ni à une utilisation au-delà des maximums. La garantie est NULLE si l'une des conditions suivantes s'applique :

1. Le produit est utilisé pour des applications autres que celles pour lesquelles il a été conçu et fabriqué.
2. Le produit n'est pas installé dans le respect des codes et règlements applicables et selon les bonnes pratiques acceptées dans l'industrie.
3. Le produit a été branché à une tension autre que celle indiquée sur la plaque signalétique.
4. La pompe a été utilisée avec des liquides autres que de l'eau douce approximativement à la température ambiante.
5. La pompe a fonctionné à sec (alimentation en liquide coupée).
6. Le carter moteur scellé a été ouvert ou le produit a été démonté par le client.
7. Le cordon a été coupé à une longueur inférieure à 0,9 m (3 pieds).

**AVIS DE NON-RESPONSABILITÉ :** Toute déclaration verbale portant sur le produit, faite par le vendeur, l'Entreprise, les représentants ou toute autre partie ne constitue pas une garantie et ne peut être considérée par l'utilisateur comme faisant partie du contrat de vente. La seule obligation du vendeur ou de l'Entreprise et le seul recours de l'acheteur est le remplacement et/ou la réparation du produit par l'Entreprise, comme il est décrit ci-dessus. LE VENDEUR OU L'ENTREPRISE NE PEUT ÊTRE TENU RESPONSABLE POUR TOUTE BLESSURE, PERTE OU DOMMAGE DIRECT, INDIRECT OU CONSÉCUTIF (INCLUANT MAIS SANS S'Y LIMITER LES DOMMAGES INDIRECTS OU CONSÉCUTIFS LIÉS À UNE PERTE DE PROFITS, UNE PERTE DE VENTES, DES BLESSURES OU DES DOMMAGES MATÉRIELS, OU TOUT AUTRE INCIDENT OU PERTE CONSÉCUTIVE), RÉSULTANT DE L'UTILISATION OU DE L'IMPOSSIBILITÉ D'UTILISER LE PRODUIT; DE PLUS, L'UTILISATEUR ACCEPTE QU'AUUCUN AUTRE RECOURS N'EST DISPONIBLE. Avant de commencer à utiliser le produit, l'utilisateur doit déterminer si ce produit est adapté à l'usage prévu; et l'utilisateur assume tous les risques et toutes les responsabilités qui sont liés à cette utilisation. LA GARANTIE ET LES MESURES CORRECTIVES DÉCRITES DANS LA PRÉSENTE GARANTIE LIMITÉE CONSTITUENT UNE GARANTIE ET DES MESURES CORRECTIVES EXCLUSIVES EN LIEU ET PLACE DE TOUTE AUTRE GARANTIE ET MESURE CORRECTIVE, EXPRESSE OU IMPLICITE; ET TOUTE AUTRE GARANTIE ET MESURE CORRECTIVE EST EXPRESSÉMENT EXCLUE, INCLUANT, MAIS SANS S'Y LIMITER, TOUTE GARANTIE IMPLICITE DE QUALITÉ MARCHANDE OU D'ADAPTATION À UN USAGE PARTICULIER. Certaines juridictions et certains pays interdisent les exclusions ou les limitations de durée d'une garantie implicite ou l'exclusion ou la limitation des dommages indirects ou consécutifs; les limitations ou exclusions ci-dessus pourraient donc ne pas s'appliquer à votre cas. Cette garantie vous donne des droits légaux spécifiques et vous pourriez également jouir d'autres droits qui varient selon la juridiction ou le pays.

**SERVICE A LA CLIENTELE:**  
**Ligne directe à 1-800-667-1457**

RED LION  
51 Burmac Road, P.O. Box 429  
Winnipeg, Manitoba, Canada  
R3C 3E4

Téléphone: (877) 337-2650  
Fax: (204) 255-5214  
[www.redlionproducts.com](http://www.redlionproducts.com)

**RED LION**






# RLHE

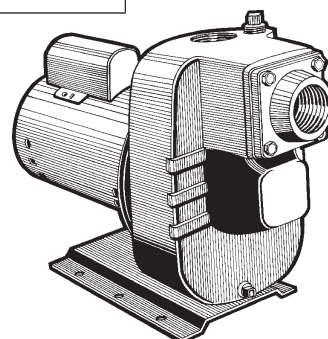
## Bombas Para Jardín y Césped

Con Motor Eléctrico

**ADVERTENCIAS DE SEGURIDAD**



**LEA ESTE MANUAL Y SIGA TODAS LAS REGLAS DE SEGURIDAD ANTES DE INSTALAR U OPERAR ESTA BOMBA.**



**SEGURIDAD** LEA CUIDADOSAMENTE ESTOS MENSAJES DE SEGURIDAD EN ESTE MANUAL Y EN LA BOMBA.

**CUIDADO**

- ¡NO HAGA FUNCIONAR LA BOMBA EN SECO!
- Revise cuidadosamente las instrucciones antes de usarla.

**ADVERTENCIA**

### - PRECAUCIONES ELÉCTRICAS

Todo cableado, conexiones eléctricas y sistemas de contacto a tierra deben cumplir con el Código Eléctrico Nacional (NEC) y con cualquier código y ordenanza local. Contrate los servicios de un electricista con licencia. Para los motores sin protección térmica, utilice un control de motor aprobado que concuerde con la entrada de corriente del motor en carga completa de amperios, con elemento(s) de sobrecarga seleccionados o regulados de acuerdo a las instrucciones del control.

**PARA MOTORES DE DOS VOLTIOS:** Las instrucciones por el cambio de voltio estan sobre la etiqueta del motor o la cubierta del alambrado.

- ADVERTENCIA**
- ### - RIESGO DE DESCARGA ELÉCTRICA
- Haga que un electricista le conecte la electricidad al motor.
  - El motor debe estar conectado a tierra y la tapa del terminal debe estar puesta para reducir el peligro de descarga eléctrica.
  - Mantenga el área de operación del motor lo más seca posible.
  - Se recomienda se use un circuito protegido por un interruptor por contacto a tierra (GFI) con cualquier aparato eléctrico que opere cerca del agua.
  - Desconecte siempre el suministro eléctrico antes de darle servicio.
  - No se ha investigado su uso para el área de piscinas.

## APLICACIÓN

Utilice estas bombas para aplicaciones donde la distancia vertical desde la bomba hasta el nivel del agua no sea mayor de 25 pies.

En todas las instalaciones se debe tomar en consideración la pérdida por fricción en las tuberías de succión.

## RENDEMIENTO

Model No.	HP	Discharge Pressure in PSI at 5 ft. Lift							Max. PSI
		10	20	30	40	45	50	55	
RLHE-300	3	Capacities in U.S. GPM							59
		124	110	95	77	67	54	36	

## INSTALACIÓN

**UBICACIÓN DE LA BOMBA:** Instale la bomba en un lugar limpio, seco y ventilado, con drenaje adecuado, suficiente espacio para darle servicio y protegido contra temperaturas congelantes. Se le debe empujar niveladamente a unos buenos cimientos, de preferencia de concreto, para evitar cualquier tensión innecesaria. El ubicar la bomba lo más cerca posible de la fuente de agua reducirá las pérdidas por fricción en la tubería de succión y proporcionará las capacidades máximas.

**TUBERÍA DE SUCCIÓN:** Se recomienda se utilice solamente tuberías o mangueras nuevas y limpias y del mismo tamaño que la toma de succión de la bomba. Si la bomba está lejos de la fuente de agua, la tubería de succión se debe aumentar un tamaño. Incline

la tubería de succión siempre hacia arriba para evitar bolsas de aire en la misma. En casos en los que se tenga que cargar la bomba frecuentemente y donde no se necesite bombear grandes cantidades de agua, se recomienda se use un codo de 90° o 45° en la línea de succión. Esto le permite a la bomba cargarse más rápidamente y también evita que la manguera se pliegue. En los casos en que se necesite un volumen máximo de agua por largos períodos de tiempo, la línea de succión debe estar casi horizontal con la bomba. Utilice un sellador no tóxico para rosca en todas las uniones de las tuberías, y las conexiones deben estar bien ajustadas. Se debe conectar un filtro o colador en el extremo inferior de la tubería de succión y éste debe estar bien sumergido en todo momento.

## **⚠️ ADVERTENCIA**

### **- PELIGRO DE DESCARGA ELÉCTRICA**

- **CABLEADO:** Asegúrese que el voltaje y la frecuencia del suministro eléctrico concuerde con los indicados en la placa de marca del motor. Si tiene dudas, comuníquese con la compañía eléctrica.

## **⚠️ ADVERTENCIA**

### **- PRECAUCIONES ELÉCTRICAS**

Todo el cableado, las conexiones eléctricas y los sistemas de contacto a tierra deben cumplir con el Código Eléctrico Nacional (NEC) y con todas las ordenanzas y códigos locales. Contrate a un electricista calificado.

**MONOFÁSICOS:** Determine cuál es el voltaje de entrada al motor. Utilice 230V cuando sea posible. Conecte el cableado al tablero del terminal ubicado dentro de la tapa del motor. Asegúrese que las conexiones de voltaje concuerden con el diagrama de cableado en la placa de marca del motor.

**TRIFÁSICOS:** Los motores trifásicos requieren arrancadores magnéticos y pueden funcionar en cualquier dirección, dependiendo de cómo estén conectados al suministro eléctrico.

**Para verificar la rotación correcta:** Quite la tapa del motor, dejando expuesto el eje del motor. Si la conexión es correcta, el eje girará en el mismo sentido que las manecillas del reloj. Si la rotación es al contrario, intercambie cualquiera de dos cables que van al arrancador. La rotación estará ahora corregida.

## **⚠️ ADVERTENCIA**

### **- PELIGRO DE DESCARGA ELÉCTRICA**

**CÓMO CONECTAR EL MOTOR A TIERRA: EL CABLEADO A ESTA BOMBA DEBE SER INSTALADO Y MANTENIDO DE ACUERDO AL CÓDIGO ELÉCTRICO NACIONAL O A SU CÓDIGO LOCAL. SI NECESITA MAYOR INFORMACIÓN, LLAME A SU ELECTRICISTA AUTORIZADO LOCAL O A SU COMPAÑÍA ELÉCTRICA.**

Se recomienda se haga una conexión a tierra permanente para la unidad, utilizando un conductor del tamaño adecuado desde una tubería metálica subterránea de agua o un conductor conectado a tierra en el panel de servicio. No la conecte a tierra con una tubería de suministro de gas. No la conecte al suministro eléctrico hasta que la bomba esté conectada a tierra permanentemente. Conecte el cable de contacto a tierra con un contacto a tierra aprobado y luego conéctelo al terminal provisto.

## **FUNCIONAMIENTO - CÓMO CARGAR LA BOMBA**

**⚠️ AVISO: NO OPERAR LA BOMBA ANTES DE CARGARLA, EL SELLO Y EL PROPULSOR PODRÍAN DAÑARSE PERMANENTEMENTE.**

**CÓMO CARGAR LA BOMBA:** La bomba tiene un tapón de cargado ubicado en la parte superior del cuerpo de la bomba para llenarlo con agua. Una vez llenada y después que vuelva a colocar el tapón de cargado, la bomba se cargará. El tiempo de cargado depende de las distancias verticales y horizontales entre la bomba y el nivel de agua. La bomba se debe cargar sola una y otra vez mientras que la válvula de chequeo incorporada funcione.

**⚠️ CUIDADO:** **NO** haga funcionar la bomba antes de llenar el cuerpo de la misma con agua, ya que puede dañar el sello.

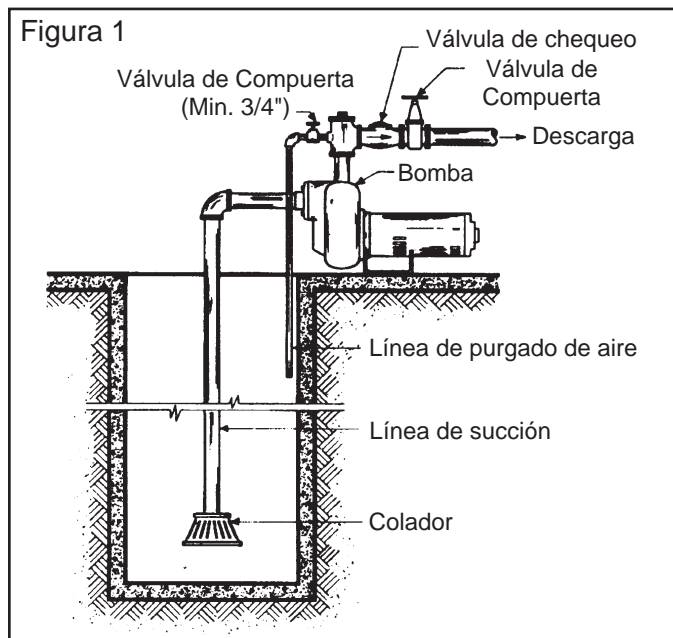
**CARGADO BAJO PRESIÓN:** (Vea la Fig. 1). Si fuera necesario cargar la bomba bajo presión, instale una válvula de chequeo en la línea de descarga de la bomba y un grifo de descompresión o un purgador de aire del tipo de bola en lugar del tapón de cargado, o una línea de purgado de aire con una válvula de compuerta conectada a la línea de descarga. Esto permitirá que el líquido se quede en la tubería de descarga y que la bomba purgue el aire que quede, facilitando así el cargado.

**ROTACIÓN DEL PROPULSOR:** El propulsor debe girar en sentido contrario a las manecillas del reloj cuando se ve la bomba desde el frente del cuerpo de la misma. Si el propulsor rotara en sentido contrario en los modelos con motores eléctricos, vea las instrucciones proporcionadas con el motor. La rotación de los motores trifásicos se puede invertir intercambiando cualquiera de dos cables. **CÓMO PRENDER LA BOMBA:** Nunca haga funcionar la bomba en seco, ya que podría dañar el sello. Si se usa una línea de succión excepcionalmente larga, el agua en el cuerpo de la bomba se puede recalentar y la línea de succión se puede bloquear con el vapor. Si esto ocurre, reemplace el agua en el cuerpo de la bomba con agua fría y continúe el cargado.

**DRENAJE:** Si la bomba va a estar expuesta a temperaturas congelantes, será necesario drenar la bomba completamente. Para hacer esto, quite el tapón de drenaje ubicado en la parte inferior frontal del cuerpo de la bomba, y el de cargado, y asegúrese que el agujero de drenaje no esté bloqueado. Una vez que se haya drenado toda el agua, haga funcionar la bomba por unos segundos para sacar todo el líquido del propulsor (asegúrese que la línea de succión también esté sin agua).

**ALMACENAMIENTO DE LA BOMBA:** Drene el líquido de la bomba para evitar el congelamiento del mismo. Se recomienda se use un buen antioxidante en el líquido para evitar la corrosión excesiva. Asegúrese que el motor se mantenga seco y cubierto.

Cuando vuelva a usar la bomba, vuelva a colocar todos los tapones y asegúrese que todas las conexiones estén bien ajustadas y selladas. Luego de una revisión completa, haga el cargado inicial de acuerdo a las instrucciones bajo la sección Cómo Cargar la Bomba.



## MANTENIMIENTO

### **⚠️ ADVERTENCIA**

#### **- PRECAUCIONES ELÉCTRICAS**

Todo el cableado, las conexiones eléctricas y los sistemas de contacto a tierra deben cumplir con el Código Eléctrico Nacional (NEC) y con todas las ordenanzas y códigos locales. Contrate a un electricista calificado.

### **⚠️ ADVERTENCIA**

#### **- RIESGO DE DESCARGA ELÉCTRICA**

- Haga que un electricista le conecte la electricidad al motor.
- El motor debe estar conectado a tierra y la tapa del terminal debe estar puesta para reducir el peligro de descarga eléctrica.
- Mantenga el área de operación del motor lo más seca posible.
- Se recomienda se use un circuito protegido por un interruptor por contacto a tierra (GFI) con cualquier aparato eléctrico que opere cerca del agua.
- Desconecte siempre el suministro eléctrico antes de darle servicio.
- No se ha investigado su uso para el área de piscinas.

#### **LUBRICACIÓN:**

- a) La bomba no necesita lubricación.
- b) Para los modelos de motores eléctricos, vea las instrucciones proporcionadas por el fabricante del motor.

#### **CÓMO REEMPLAZAR EL SELLO MECÁNICO:**

(Vea la Fig. 2)

#### **PARA DESARMARLA:**

**Para Modelos Hasta 2 ½ HP** (Motores con pestaña cuadrada)

- a) Quite los pernos (1) y saque el conjunto de la plancha selladora y el motor del cuerpo de la bomba (1).
- b) Saque el difusor de succión (2) palanqueando la plancha selladora.
- c) Destornille el propulsor (5) dándole vueltas en sentido contrario a las manecillas del reloj.
- d) Deslice el sello rotativo fuera del eje.
- e) Para los modelos de hasta 1 ½ HP quite la plancha selladora fuera del motor. Para los modelos de 2 y 2 ½ HP, quite las 4 tuercas hexagonales y saque el motor fuera de la plancha selladora. Tenga mucho cuidado de no dañar el sello de cerámica.
- f) Si tiene que reemplazar el asiento (9), presiónelo fuera de la plancha selladora desde el lado del motor.

#### **PARA VOLVER A ARMARLA:**

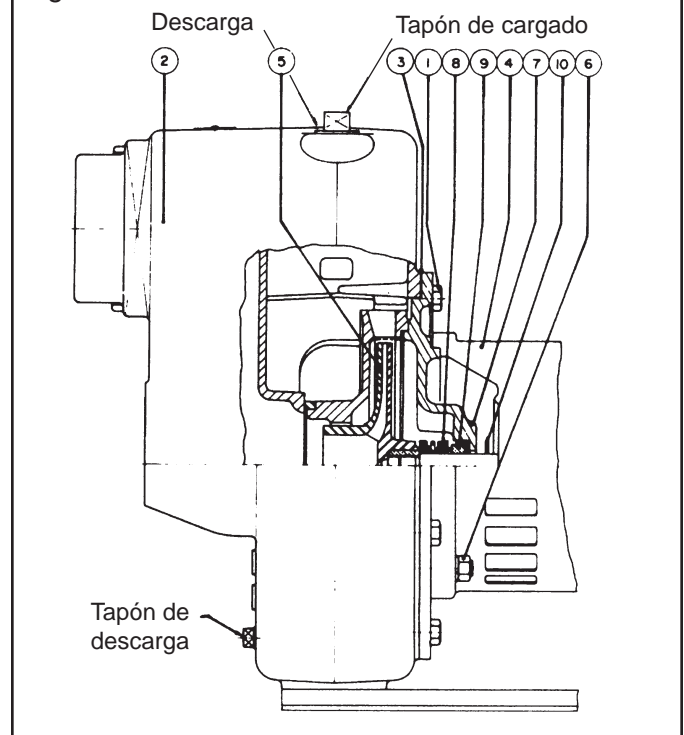
- a) Limpie todas las piezas.
- b) Moje la parte de goma del asiento sellador con jabón líquido y presiónelo dentro de su caja en la plancha selladora o adaptador (con el lado liso de cerámica hacia arriba).

- c) Ensamble al motor la plancha selladora o el adaptador.
- d) Moje el anillo de goma del conjunto del sello con jabón líquido y deslícelo en el eje del motor. Asegúrese que la parte selladora esté hacia el asiento de cerámica.
- e) Vuelva a colocar el propulsor.
- f) Vuelva a ensamblarlo al cuerpo de la bomba y al anillo difusor. Se recomienda se use una nueva junta (3).
- g) Vuelva a conectar las tuberías de succión y desgarga y vuelva a conectar al cableado eléctrico.

#### **PRECAUCIONES**

- a) Cuando la desensamble y vuelva a ensamblar, asegúrese siempre que el propulsor gire libremente dentro del cuerpo de la bomba.
- b) Los modelos NSPHE tienen un anillo de goma (10) en el eje. Este anillo de goma no se debe quitar.

Figura 2



## GUÍA PARA SOLUCIONAR PROBLEMAS

PROBLEMAS Y SUS CAUSAS	SOLUCIONES
<b>No bombea:</b>	
La bomba no está cargada correctamente.	Asegúrese que el cuerpo de la bomba y la línea de succión estén llenas de agua. Vea las instrucciones de cargado.
La velocidad es muy lenta.	<b>⚠️ ADVERTENCIA - PRECAUCIONES ELÉCTRICAS</b> Todo el cableado, las conexiones eléctricas y los sistemas de contacto a tierra deben cumplir con el Código Eléctrico Nacional (NEC) y con todas las ordenanzas y códigos locales. Contrate a un electricista calificado. Revise el voltaje en los terminales del motor y en el medidor cuando la bomba esté funcionando. Si está bajo, vea las instrucciones de cableado o consulte con su compañía eléctrica. Asegúrese que no haya conexiones flojas.
La presión total es mayor para la que la bomba se diseñó.	Se necesita una bomba diseñada para mayor presión.
La altura de succión es demasiada.	Coloque la bomba más cerca de la fuente de agua. Asegúrese que la tubería de succión es lo suficientemente grande.

## GUÍA PARA SOLUCIONAR PROBLEMAS

PROBLEMAS Y SUS CAUSAS	SOLUCIONES
<b>Capacidad y/o Presión Reducidas:</b>	
Fugas o bolsas de aire en la línea de succión.	Revise la tubería de succión.
Propulsor atorado.	Sáquelo y límpielo.
El colador es muy pequeño o está atorado.	Utilice un colador más grande o limpio.
La línea de succión no está suficientemente sumergida.	Añada tramos a la tubería de succión para mantenerla sumergida y bien por debajo del nivel del agua.
La altura de succión es demasiada.	Si es causada por la fricción de la tubería de succión, use una tubería más grande. Caso contrario, coloque la bomba más cerca al nivel de agua.
La presión total es mayor para la que la bomba se diseñó.	Se necesita una bomba diseñada para mayor presión.
El propulsor está excesivamente gastado.	Pida las piezas de repuesto usando la Lista de Piezas de Repuesto.
<b>La Bomba Pierde la Carga:</b>	
Fuga de aire en la línea de succión.	Revise la tubería de succión.
La altura de succión es excesiva y está funcionando muy cerca del punto de apagado.	Coloque la bomba más cerca al nivel de agua.
El nivel del agua baja cuando se bombea, dejando la tubería de succión al descubierto.	Revise el suministro de agua. Añada tramos a la tubería de succión para mantenerla sumergida y bien por debajo del nivel del agua.
<b>Problemas y Ruidos Mecánicos:</b>	
Eje doblado y/o rodamientos dañados.	Lleve el motor a una tienda autorizada de reparaciones.
Las tuberías de succión y/o descarga no están debidamente apoyadas o sujetadas.	Asegúrese que todas las tuberías estén bien apoyadas para aliviar la tensión sobre el conjunto de la bomba.

### GARANTÍA LIMITADA

Para consideraciones de la garantía, Franklin Electric Company, Inc. y sus subsidiarios (denominada de ahora en adelante "la Compañía"), garantiza que los productos especificados en esta garantía están libres de defectos en los materiales y en la mano de obra de la Compañía. Durante el período, y sujeto a los términos estipulados en este documento, la Compañía reparará o reemplazará al cliente o usuario original cualquier parte del producto que presente defectos materiales o de fabricación atribuibles a la compañía. En todo momento, la Compañía tendrá y poseerá el único derecho y opción de determinar si repara o reemplaza el equipo, piezas o componentes defectuosos. La Compañía tiene la opción de inspeccionar cualquier producto devuelto bajo los términos de la garantía para confirmar que esté cubierto por la garantía antes de aprobar la reparación o reemplazo según la garantía. Esta garantía constituye la única obligación de la Compañía y es el único recurso que tiene el cliente si el producto tiene defectos. Devuelva el producto defectuoso al sitio de compra para que sea considerado bajo la garantía.

**DURACIÓN DE LA GARANTÍA – PRODUCTOS:** 12 meses a partir de la fecha de compra por el cliente. (Los cepillos, el impulsor o la leva en los modelos con motor de cepillo y/o los impulsores de aletas flexibles no están cubiertos por la garantía.) En caso de que no exista un comprobante adecuado de la fecha de compra, el período efectivo de esta garantía comenzará a partir de la fecha de fabricación del producto.

**MANO DE OBRA Y OTROS COSTOS:** La Compañía DE NINGUNA MANERA será responsable por el costo de la mano de obra en el campo u otros cargos en que incurra cualquier cliente al retirar y/o instalar algún producto, pieza o componente.

**MEJORAS AL PRODUCTO:** La Compañía se reserva el derecho de cambiar o mejorar sus productos, o cualquier parte de los mismos, sin que por ello tenga la obligación de realizar dicho cambio o mejora en las unidades vendidas y/o despachadas con anterioridad.

**TÉRMINOS Y CONDICIONES GENERALES:** Esta garantía no tiene efecto si los daños se deben a fuerza mayor, desgaste por uso normal, servicios de mantenimiento normal y la piezas utilizadas para dicho servicio, rayos o condiciones que estén fuera del alcance de la Compañía, como tampoco tendrá vigencia en aquellos productos que, a criterio exclusivo de la Compañía, hayan sido sujetos a negligencia, maltrato, accidente, mal uso, manipulación indebida, alteración o instalación, funcionamiento, mantenimiento o almacenamiento indebidos, o si se sobrepasan los valores máximos recomendados, estipulados en estas instrucciones.

Esta garantía quedará ANULADA si se hallan cualesquiera de las siguientes condiciones:

1. El producto se utiliza para propósitos distintos a aquellos para los cuales fue diseñado y fabricado
2. El producto no fue instalado de conformidad con las normas, reglamentos y prácticas comerciales aceptadas
3. El producto se conecta a un voltaje distinto al que se indica en la placa de identificación
4. La bomba se utilizó con fluidos distintos al agua dulce a temperatura ambiente aproximadamente
5. La bomba funcionó sin líquido (se cortó el suministro de líquido)
6. El cliente abrió el alojamiento sellado del motor o desarmó el producto
7. El cable se cortó a un largo menor que 0,9 m (3 pies)

**EXENCIÓN DE RESPONSABILIDAD:** Toda afirmación verbal con respecto al producto, por parte del vendedor, la Compañía, los representantes o cualquier otra parte, no constituye garantía alguna, no debe ser considerada como tal por el usuario y no forma parte del contrato de venta. La única obligación del vendedor y la Compañía, y el único recurso del comprador, será el reemplazo y/o reparación que hará la Compañía del producto, tal como se describió anteriormente. NI EL VENDEDOR NI LA COMPAÑÍA SERÁN RESPONSABLES POR CUALQUIER LESIÓN, PÉRDIDA O DAÑO DIRECTO, INCIDENTAL O INDIRECTO (LO

#### SERVICIO AL CLIENTE:

**Línea directa: 1-800-667-1457**

RED LION  
51 Burmac Road, P.O. Box 429  
Winnipeg, Manitoba, Canada  
R3C 3E4

Teléfono: (877) 337-2650  
Fax: (204) 255-5214

[www.redlionproducts.com](http://www.redlionproducts.com)

**RED LION**